

C  
10.5"  
267



**Hannay Reels®**  
The reel leader.

# Stainless Steel Reels

- | Washdown | Chemical Transfer | Potable Water | Pharmaceuticals & Cosmetics | Steam Cleaning |
- | Food Processing | Marine | Fueling | Fire Protection | Dairy Operations | Bottling Plants |



Family owned and operated since 1933

# CONTENTS

<b>Stainless Steel Reels</b>	<b>I.D. Hose Sizes</b>	<b>Page</b>
<b>Hannay Reels Sales Policies</b>		3
<b>Spring Rewind Reels</b>		
Series SSN700	1/4" – 1/2"	4
Series SSN800	3/4" – 1"	5
Series SS800	3/4" – 1"	6
<b>Compact Manual Rewind Reels</b>		
Series SS1000	1/4" or 3/8"	7
<b>Manual Rewind Reels</b>		
Series SS1500	3/8" – 5/8"	8
Series SS1800	5/8" – 3/4"	9
Series SS3000	3/4" – 1"	10
Series SS4000	3/4" – 1"	11

## Hannay's Stainless Steel Finishes

### Mill Finish (standard)

Smooth dull gray finish as supplied from the mill.

### Satin Finish (optional)

Buffed to a grainy light, non-reflective finish – has a brushed look.

### Polished Finish (optional)

Buffed to give a bright, reflective finish.

#### NOTICE:

**OPTIONAL POTABLE WATER USE:** All reels are available for use with potable water (hub is cleaned, swivel joint includes a food grade lubricant). Customer must state for potable water requirements.

**FUELING APPLICATIONS:** Fueling application must be specified when ordering to ensure proper swivel joint seals are used.



## From washdown to fueling to processing, the only reels you'll need.

For sanitary or harsh conditions, our stainless steel reels are the top choice of OEMs around the world. Numerous industries – including food and beverage, fueling, pharmaceutical and cosmetic, marine and offshore, and dairy – trust our reels because of their resistance to rust and corrosion and the absence of paint, which can chip and contaminate products.

We offer more models and custom designs than any other reel manufacturer to meet a variety of needs, applications, installations, and functions. Every reel we build is created for the industry it will be used in – never retrofitted to the job. That means you can trust Hannay Reels to provide perfect fit and function for years to come.

#### Uses:

- Washdown
- Potable water
- Fueling
- Chemical transfer
- Food ingredient transfer
- Fire protection

We manufacture our stainless steel reels to industrial-duty design and construction standards using fine grade 304 stainless steel frames, discs and drums, and stainless internals. Because of their exceptional quality, they require only minimal routine maintenance and will not rust, corrode or break down even in the harshest conditions.

#### Mounting Hole Sizes

<b>N Series Reels</b>	7/16" wide x 7/8" long slot running front to back
<b>Pressed Frame Reels and Square Tubing Framed Reels</b>	7/16" wide x 7/8" long slot running left to right
<b>Series 1000</b>	7/16" wide x 1-7/16" long slot
<b>Series 1500, 1800, 4000</b>	13/32" round holes

# Hannay Reels **Sales Policies**

## Hannay Reels 3-Year Limited Warranty

Products manufactured by Hannay Reels, Inc. (“Hannay”) are warranted for 3 years from date of shipment when properly installed, maintained, and operated in accordance with Hannay instructions. In no event will Hannay have a warranty obligation for normal wear and tear, or for products that have, at Hannay’s determination, been subjected to accident, abuse, misapplication, improper installation or improper maintenance. Common examples of normal wear and tear would include paint finish, swivel joint seal wear, and switch or motor brush wear.

Hannay makes no warranties, express or implied, other than those included in this warranty statement, and we disclaim any implied warrant of merchantability or fitness for any particular purpose. Hannay will not be liable for any consequential, incidental, or indirect damages from any cause whatsoever.

Failure to use a flexible inlet connection on any live hose reel will void the swivel joint warranty. Failure to use a properly sized circuit breaker with any electric rewind motor will void the electric motor warranty. Failure to use a filter and lubricator on any air rewind motor will void the air motor warranty. Failure to follow all procedures outlined in the Safety Guidelines document will void the warranty.

Components not manufactured by Hannay will be subject to the original manufacturers’ warranties. Examples of such components include: hose and cable, motors, speed controls, and switches, swivel joints and seals, slip ring and brush assemblies.

Equipment which proves to be defective upon our inspection will be replaced free of charge, including freight to the customer. Our responsibility ceases upon delivery to any common carrier and we do not, unless previously instructed, insure shipments beyond point of delivery to such carrier. **No material will be accepted for return without a return goods authorization (RGA).** This warranty extends to the replacement or repair of the reel or part (no labor).

Hannay reserves the right to modify or alter materials, dimensions, design, and construction when necessary to improve the performance of the reel and/or accessories, or to meet delivery requirements.

## Notice on Reel Finish

Standard finish on Hannay reels is a high performance enamel paint. Standard color is metallic graphite. Other colors available, please consult factory.

Most of the major components on standard reels are e-coated prior to receiving final topcoat paint finish. This combination of e-coat and enamel topcoat will meet the finish requirements of most customer applications and environments.

In cases where requirements cannot be met with the standard finish, Hannay Reels can coat any model reel with an automotive primer, allowing application of final coating at your facility.

Alternatively, Hannay Reels can provide a quote for matching a customer-provided paint specification. For further information, please contact your Hannay Reels sales engineer and a special paint request form will be sent to you.

For environments where no paint finish is suitable, we offer both aluminum and stainless steel (304 grade) construction on most reel models.

## Return Goods Policy

All Hannay reels are built to order. These orders are typically placed into production within 1 business day of receipt. Once production begins, it may not be possible to cancel the order.

To prevent returns because the wrong reels or parts were ordered, please use the Hannay Reels Spec Worksheet (either online or from our Ordering & Accessory Guide) when specifying reels. Be sure to include any size, weight, pressure and/or material compatibility limitations for the application.

**In the event that an item does need to be returned for credit, repair or replacement, prior approval must be obtained from Hannay Reels.** Upon your request, we will send a Return Goods

Authorization (RGA) form. A signed copy of this form must accompany the material when returned to us, with the RGA number clearly showing on the outside of the box—a label is provided to you that you can print and attach. No product will be accepted for return or credit without an authorized RGA number.

All material must be returned prepaid, unless otherwise noted on our RGA. No return will be accepted that has been damaged due to improper return packaging, tampered with or altered from its original condition. Our restocking and handling fee is a minimum of 25% for standard catalog reels and parts. Custom reels specially built to customer specifications cannot be returned for any reason.



# Series **SSN700**

- Lubrication • Potable Water • Chemical Transfer
- Washdown • Corrosive Environments

**To handle 1/4" through 1/2" I.D. hose.**

- Narrow frame and compact mounting base.
- Non-sparking ratchet assembly.
- Decutching arbor to prevent damage from reverse winding.
- Standard inlet: 90° stainless steel ball bearing swivel joint, 1/2" female NPT threads.
- Standard outlet: 1/2" female NPT threads.
- Standard pressures to 3000 psi (207 bar).
- Standard fluid temperatures from +32° F to +400 °F (0° C to +204° C). Optional temperature ratings available - consult factory.
- Consult factory for other pressures and temperatures.
- 4-way roller assembly.
- Constant tension is available – consult factory.
- 304 stainless steel construction.
- Optional SST Mosmatic 1/2" balanced pressure swivel joint available, subtract 1.50" from "F" dimension, specify when ordering.



Standard SR configuration shown with optional polished finish

**PARTS DRAWING – ISO 171**

Model Number	Hose Capacity of Reel feet m				Approx. Weight lb. kg			Std. Roller Assy.	Reel Dimensions*** in. mm							
	I.D. in. mm	1/4 6	3/8 10	1/2 13	NET	UPS/ FedEx SHIP Wt.	Freight SHIP Wt.		A	B	C	E	F	G	H	X
	O.D. in. mm	5/8 16	3/4 19	7/8 22												
<b>SSN716-16-17-10.5J</b>	-	35	35	66	75*	108	<b>N204S</b>	<b>10</b>	<b>4</b>	<b>10.5</b>	<b>19</b>	<b>12.88</b>	<b>17</b>	<b>9.12</b>	<b>8</b>	
	-	11	11	30	34	49		254	102	267	483	327	432	232	203	
<b>SSN716-19-20-10.5J</b>	-	50	50	67	82*	109	<b>N204S</b>	<b>10</b>	<b>4</b>	<b>10.5</b>	<b>20.75</b>	<b>12.88</b>	<b>20</b>	<b>10.62</b>	<b>8</b>	
	-	15	15	30	37	49		254	102	267	527	327	508	270	203	
<b>SSN716-23-24-15.5J</b>	-	65	65	79	92*	114	<b>N204S</b>	<b>10</b>	<b>4</b>	<b>15.5</b>	<b>24</b>	<b>12.88</b>	<b>24</b>	<b>12.62</b>	<b>8</b>	
	-	20	20	36	42	52		254	102	394	610	327	610	321	203	
<b>SSN716-23-24-15.5G</b>	100	75	65	94	101*	129	<b>N204S</b>	<b>10</b>	<b>4</b>	<b>15.5</b>	<b>24</b>	<b>12.88</b>	<b>24</b>	<b>12.62</b>	<b>8</b>	
	30	23	20	43	46	59		254	102	394	610	327	610	321	203	
<b>SSN716-25-26-15.5B</b>	-	75	75	90	-	125	<b>N204S</b>	<b>10</b>	<b>4</b>	<b>15.5</b>	<b>25.5</b>	<b>12.88</b>	<b>26</b>	<b>13.62</b>	<b>8</b>	
	-	23	23	41	-	57		254	102	394	648	22.75	660	346	203	
† <b>SSN718-25-26-15.5G</b>	-	100	100	96	-	131	<b>N206S</b>	<b>12</b>	<b>6</b>	<b>15.5</b>	<b>25.5</b>	<b>14.88</b>	<b>26</b>	<b>13.62</b>	<b>10</b>	
	-	30	30	44	-	59		305	152	394	648	378	660	346	254	
<b>SSN718-25-26-15.5A</b>	-	100	100	106	-	141	<b>N206S</b>	<b>12</b>	<b>6</b>	<b>15.5</b>	<b>25.5</b>	<b>15.5</b>	<b>26</b>	<b>13.62</b>	<b>10</b>	
	-	30	30	48	-	64		305	152	394	648	394	660	346	254	

**Notes:**

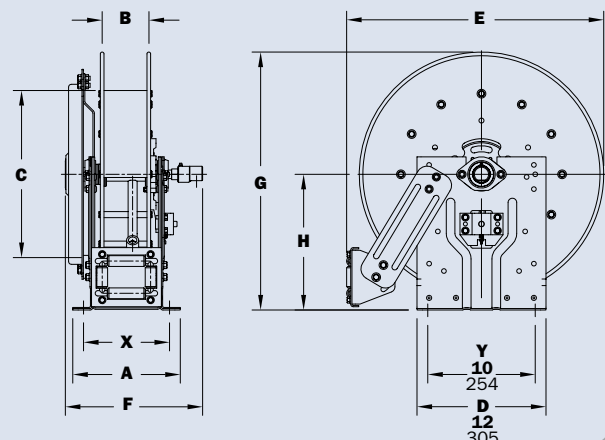
1. Specifications subject to change.
2. Reel models and capacities shown are for standard drag applications; for vertical lift applications, consult factory.
3. Other sizes, from standard components, available on request.
4. Finish: Refer to page 2.
5. **Be sure to check dimensions and weights prior to ordering.**

**NOTICE:** A flexible connector must be used between the inlet pipe and the inlet swivel joint.

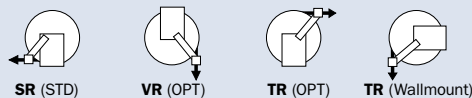
\* Dimensional weight applies when shipped as a parcel package (via FedEx or UPS Ground).

\*\*\*X, Y indicate mounting holes. See page 2.

†Capacity based on low pressure air hose only. Not for vertical lift applications.



**Available Roller Positions**



# Series SSN800

- Dairy • Caustic Materials • Air / Water
- Chemical Transfer / Food Transfer

**To handle 3/4" or 1" I.D. hose.**

- Narrow frame and compact mounting base.
- Non-sparking ratchet assembly.
- Decutching arbor to prevent damage from reverse winding.
- Standard inlet: 90° stainless steel ball bearing swivel joint, 1" female NPT threads.
- Standard outlet: 1" female NPT threads.
- Standard pressures to 1000 psi (69 bar).
- Standard fluid temperatures from -40° F to +250 °F (-40° C to +121° C). Optional temperature ratings available - consult factory.
- Consult factory for other pressures and temperatures.
- 4-way roller assembly.
- Constant tension is available – consult factory.
- 304 stainless steel construction.



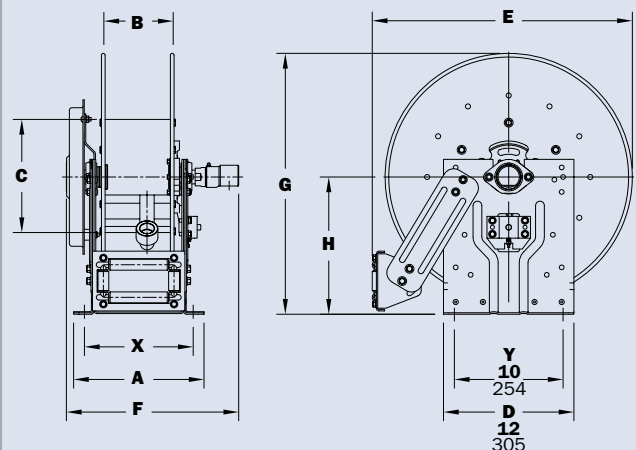
Standard SR configuration shown with optional polished finish

**PARTS DRAWING – ISO 173**

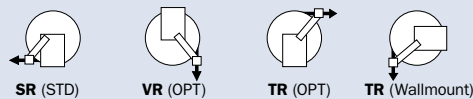
Model Number	Hose Capacity of Reel feet m			Approx. Weight lb. kg			Std. Roller Assy.	Reel Dimensions*** in. mm							
	I.D. in. mm	3/4 19	1 25	NET	UPS/ FedEx SHIP Wt.	Freight SHIP Wt.		A	B	C	E	F	G	H	X
	O.D. in. mm	1-9/32 33	1-1/2 40												
SSN816-19-20-10.5J	25	15	75	83*	110	N204S	10	4	10.5	20.75	14.12	20	10.62	8	
	8	5	34	38	50		254	102	267	527	359	508	270	203	
†SSN818-23-24-10.5J	50	25	87	-	122	N206S	12	6	10.5	24	16.12	24	12.62	10	
	15	8	39	-	55		305	152	267	610	409	610	321	254	
SSN816-25-26-10.5B	60	35	96	-	131	N204S	10	4	10.5	25.5	14.12	26	13.62	8	
	18	11	44	-	59		254	102	267	648	359	660	346	203	
SSN818-25-26-10.5B	70	50	102	-	137	N206S	12	6	10.5	25.5	16.12	26	13.62	10	
	21	15	46	-	62		305	152	267	648	409	660	346	254	
†SSN818-25-26-10.5G	75	-	108	-	143	N206S	12	6	10.5	25.5	16.12	26	13.62	10	
	23	-	49	-	65		305	152	267	648	409	660	346	254	

**Notes:**

1. Specifications subject to change.
  2. Reel models and capacities shown are for standard drag applications; for vertical lift applications, consult factory.
  3. Other sizes, from standard components, available on request.
  4. Finish: Refer to page 2.
  5. **Be sure to check dimensions and weights prior to ordering.**
- NOTICE:** A flexible connector must be used between the inlet pipe and the inlet swivel joint.
- \* Dimensional weight applies when shipped as a parcel package (via FedEx or UPS Ground).
- \*\*\*X, Y indicate mounting holes. See page 2.
- †Capacity based on low pressure air hose only. Not for vertical lift applications.



**Available Roller Positions**



# Series **SS800**

- Dairy • Caustic Materials • Air / Water
- Chemical / Food Transfer

**To handle 3/4" or 1" I.D. hose.**

- Roll-formed channel frame for heavy-duty applications.
- Non-sparking ratchet assembly.
- Decutching arbor to prevent damage from reverse winding.
- Standard inlet: 90° stainless steel ball bearing swivel joint, 1" female NPT threads.
- Standard outlet: 1" female NPT threads.
- Pressures to 1000 psi (69 bar).
- Standard fluid temperatures from -40° F to +250 °F (-40° C to +121° C). Optional temperature ratings available - consult factory.
- Consult factory for other pressures and temperatures.
- 4-way roller assembly.
- Constant tension is available – consult factory.
- 304 stainless steel construction.



Standard SR configuration shown

**PARTS DRAWING – ISO 198**

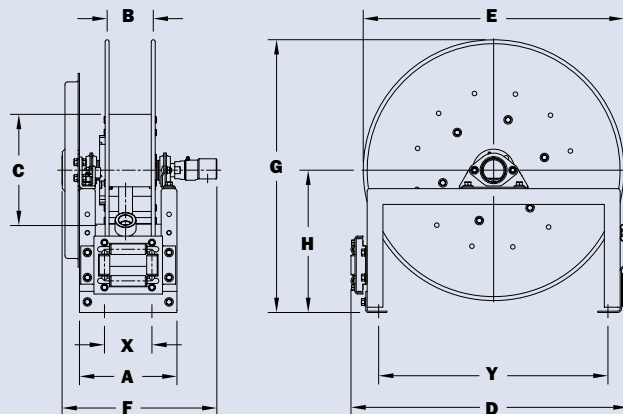
Model Number	Hose Capacity of Reel feet m			Approx. Weight lb. kg		Std. Roller Assy.	Reel Dimensions*** in. mm									
	I.D. in. mm	3/4 19	1 25	NET	SHIP		A	B	C	D	E	F	G	H	X	Y
	O.D. in. mm	1-9/32 33	1-1/2 40				9.25	4	10.5	26.25	24.75	14.75	25.88	13.5	4.5	21.75
<b>SS816-25-26-10.5B</b>	60	35	96	131	R204S	9.25	4	10.5	26.25	24.75	14.75	25.88	13.5	4.5	21.75	
	18	11	44	59		235	102	267	667	629	375	657	343	114	552	
<b>SS818-25-26-10.5B</b>	70	50	102	137	R206S	11.25	6	10.5	26.25	24.75	16.75	25.88	13.5	6.5	21.75	
	21	15	46	62		286	152	267	667	629	425	657	343	165	552	
<b>SS820-25-26-10.5A</b>	85	75	131	166	R308S	13.25	8	10.5	27	24.75	19.5	25.88	13.5	8.5	21.75	
	26	23	59	75		337	203	267	686	629	495	657	343	216	552	
<b>SS820-30-31-10.5A</b>	-	100	137	172	R308S	13.25	8	10.5	30.5	28.75	19.5	31.38	17	8.5	25.25	
	-	30	62	78		337	203	267	775	730	495	797	432	216	641	
<b>SS820-30-31-15.5A</b>	100	-	145	180	R308S	13.25	8	15.5	30.5	28.75	19.5	31.38	17	8.5	25.25	
	30	-	66	82		337	203	394	775	730	495	797	432	216	641	

**Notes:**

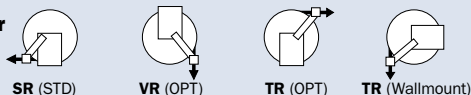
1. Specifications subject to change.
2. Reel models and capacities shown are for standard drag applications; for vertical lift applications, consult factory.
3. Other sizes, from standard components, available on request.
4. Finish: Refer to page 2.
5. **Be sure to check dimensions and weights prior to ordering.**

**NOTICE:** A flexible connector must be used between the inlet pipe and the inlet swivel joint.

\*\*\*X, Y indicate mounting holes. See page 2.



**Available Roller Positions**



# Series SS1000

- Pressure Washing • Spray Operations • Steam Cleaning
- Washdown • Air • Mobile and Permanent Installations

**To handle single 1/4" or 3/8" I.D. hose.**

- Lightweight, compact
- Direct crank rewind permanently attached.
- Adjustable cam-lock brake standard.
- Optional pin lock available.
- Standard inlet: 90° stainless steel ball bearing swivel joint, 1/2" female NPT threads.
- Standard outlet: 3/8" female NPT threads.
- Pressures to 3000 psi (207 bar).
- Standard fluid temperatures from +32° F to +400 °F (0° C to +204° C). Optional temperature ratings available - consult factory.
- Consult factory for other pressures and temperatures.
- 304 stainless steel construction.



Standard configuration shown with mill finish

**PARTS DRAWING – ISO 174**

Model Number	Hose Capacity of Reel feet m			Approx. Weight Crank Rewind lb. kg			Reel Dimensions*** in. mm			
	I.D. in. mm	1/4 6	3/8 10	NET	UPS/ FedEx SHIP Wt.	Freight SHIP Wt.	A	B	F	X
	O.D. in. mm	5/8 16	3/4 19							
SS1014-14-16	100	75	23	42*	58	11.5	6	19.25	10	
	31	23	10	19	26	292	152	489	254	
SS1016-14-16	150	100	24	42*	59	13.5	8	21.25	12	
	46	31	11	19	27	343	203	540	305	
SS1020-14-16	250	175	25	42*	60	17.5	12	25.25	16	
	76	53	11	19	27	445	305	641	406	

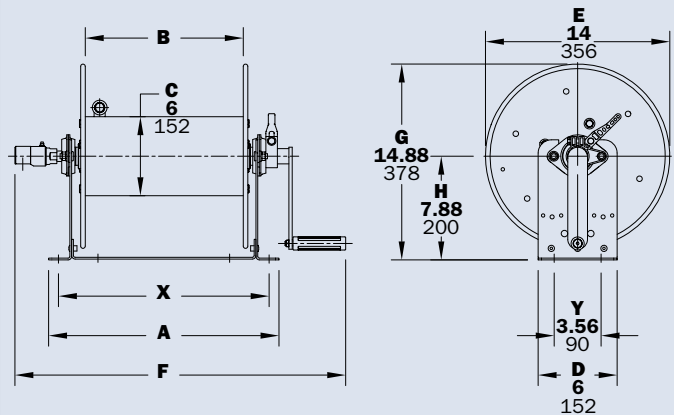
**Notes:**

1. Specifications subject to change.
2. Other sizes, from standard components, available on request.
3. Manual rewind available in RT or LB configurations only.
4. Finish: Refer to page 2.
5. **Be sure to check dimensions and weights prior to ordering.**

**NOTICE:** A flexible connector must be used between the inlet pipe and the inlet swivel joint.

\* Dimensional weight applies when shipped as a parcel package (via FedEx or UPS Ground).

\*\*\*X, Y indicate mounting holes. See page 2.



# Series **SS1500**

• Pest Control • Pressure Washing • Steam Cleaning

**To handle single 3/8" through 5/8" I.D. hose.**

- Lightweight, compact reels designed for long lengths of hose.
- Manual rewind includes: cam-lock drag brake, spring actuated pin lock and direct crank rewind.
- Standard inlet: 90° stainless steel ball bearing swivel joint, 1/2" female NPT threads.
- Standard outlet: 1/2" female NPT threads.
- Rollers and roller mounting brackets are accessory items. Specify roller position.
- Pressures to 3000 psi (207 bar).
- Standard fluid temperatures from +32° F to +400 °F (0° C to +204° C). Optional temperature ratings available - consult factory.
- Consult factory for other pressures and temperatures.
- Consult factory for power version.
- 304 stainless steel construction.



Standard configuration shown with optional polished finish

**PARTS DRAWING – ISO 175**

Model Number	Hose Capacity of Reel feet m				Approx. Weight Crank Rewind lb. kg			Reel Dimensions*** in. mm			
	I.D. in. mm	3/8 10	1/2 13	5/8 16	NET	UPS/ FedEx SHIP Wt.	Freight SHIP Wt.	A	B	F	X
	O.D. in. mm	3/4 19	7/8 22	1 25							
<b>SS1514-17-18</b>	<b>125</b>	<b>75</b>	<b>50</b>	<b>27</b>	<b>65*</b>	<b>62</b>	<b>11</b>	<b>6</b>	<b>19.62</b>	<b>9.5</b>	
	38	23	15	12	30	28	279	152	498	241	
<b>SS1520-17-18</b>	<b>275</b>	<b>175</b>	<b>125</b>	<b>29</b>	<b>80*</b>	<b>64</b>	<b>17</b>	<b>12</b>	<b>25.62</b>	<b>15.5</b>	
	84	53	38	13	36	29	432	305	651	394	
<b>SS1526-17-18</b>	<b>400</b>	<b>300</b>	<b>200</b>	<b>31</b>	<b>98*</b>	<b>66</b>	<b>23</b>	<b>18</b>	<b>31.62</b>	<b>21.5</b>	
	122	91	61	14	45	30	584	457	803	546	
<b>SS1530-17-18</b>	<b>500</b>	<b>375</b>	<b>275</b>	<b>33</b>	<b>110*</b>	<b>68</b>	<b>27</b>	<b>22</b>	<b>35.62</b>	<b>25.5</b>	
	152	114	84	15	50	31	686	559	905	648	
<b>SS1536-17-18</b>	-	<b>475</b>	<b>350</b>	<b>35</b>	-	<b>70</b>	<b>33</b>	<b>28</b>	<b>41.62</b>	<b>31.5</b>	
	-	145	107	16	-	32	838	711	1057	800	

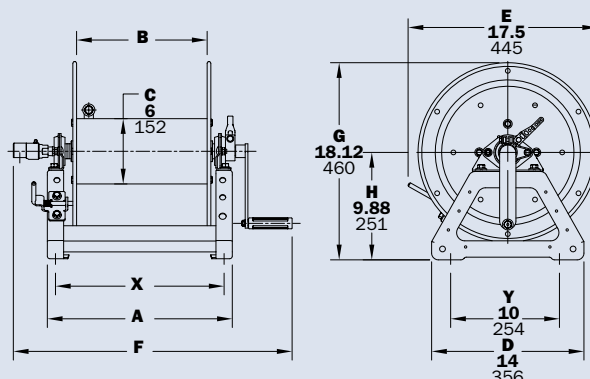
**Notes:**

1. Specifications subject to change.
2. Upon request, reels can be supplied with drum lengths other than shown.
3. Dimension "F" is the overall length of standard model reels.
4. Manual rewind available in RT or LB configurations only.
5. Finish: Refer to page 2.
6. **Be sure to check dimensions and weights prior to ordering.**

**NOTICE:** A flexible connector must be used between the inlet pipe and the inlet swivel joint.

\* Dimensional weight applies when shipped as a parcel package (via FedEx or UPS Ground).

\*\*\*X, Y indicate mounting holes. See page 2.





# Series SS1800

- Pest Control • Pressure Washing
- Steam Cleaning • Washdown

### To handle single 5/8" or 3/4" I.D. hose.

- Lightweight, compact reels designed for long lengths of hose.
- Manual rewind includes: cam-lock drag brake, spring actuated pin lock and direct crank rewind.
- Standard inlet: 90° stainless steel ball bearing swivel joint, 1" female NPT threads.
- Standard outlet: 3/4" female NPT threads.
- Rollers and roller mounting brackets are accessory items. Specify roller position.
- Pressures to 1000 psi (69 bar).
- Standard fluid temperatures from -40° F to +250 °F (-40° C to +121° C). Optional temperature ratings available - consult factory.
- Consult factory for other pressures and temperatures.
- 304 stainless steel construction.



Standard configuration shown

### PARTS DRAWING – ISO 176

Model Number	Hose Capacity of Reel feet m			Approx. Weight Crank Rewind lb. kg			Reel Dimensions*** in. mm			
	I.D. in. mm	5/8 16	3/4 19	NET	UPS/ FedEx SHIP Wt.	Freight SHIP Wt.	A	B	F	X
	O.D. in. mm	1 25	1-9/32 40							
SS1816-17-18		75	50	28	80*	63	13	8	23.5	11.5
		23	15	13	36	29	330	203	597	292
SS1822-17-18		150	100	30	98*	65	19	14	29.5	17.5
		46	30	14	45	29	483	356	749	445
SS1826-17-18		200	125	32	98*	67	23	18	33.5	21.5
		61	38	15	45	30	584	457	851	546
SS1830-17-18		250	150	33	110*	68	27	22	37.5	25.5
		76	46	15	50	31	686	559	953	648
SS1836-17-18		300	200	36	-	71	33	28	43.5	31.5
		91	61	16	-	32	838	711	1105	800

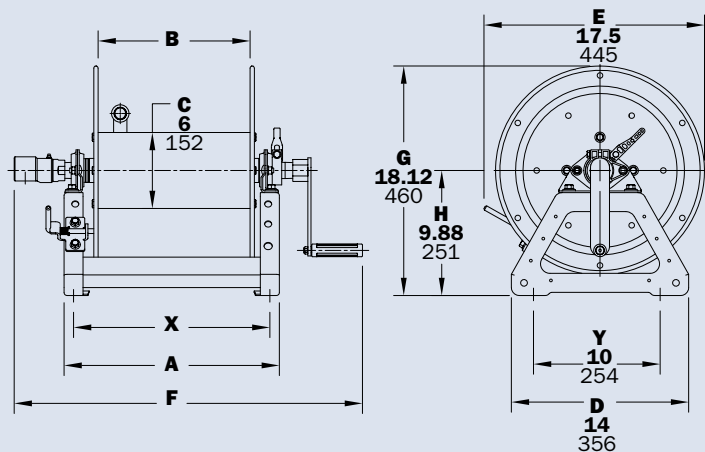
#### Notes:

1. Specifications subject to change.
2. Upon request, reels can be supplied with drum lengths other than shown.
3. Dimension "F" is the overall length of standard model reels.
4. Manual rewind available in RT or LB configurations only.
5. Finish: Refer to page 2.
6. **Be sure to check dimensions and weights prior to ordering.**

**NOTICE:** A flexible connector must be used between the inlet pipe and the inlet swivel joint.

\* Dimensional weight applies when shipped as a parcel package (via FedEx or UPS Ground).

\*\*\*X, Y indicate mounting holes. See page 2.



# Series **SS3000**

- Marine/Corrosive Environments • Washdown
- Fire Protection • Chemical/Food Transfer

**To handle 3/4" or 1" I.D. hose.**

- Economical manual rewind reels for long lengths of hose.
- Choose disc rewind or removable direct crank rewind.
- Supplied with spring-actuated pin lock.
- Standard inlet: 90° stainless steel ball bearing swivel joint, 1" female NPT threads.
- Standard outlet: 1" female NPT thread.
- Rollers and roller mounting brackets are accessory items. Specify roller position.
- Pressures to 1000 psi (69 bar).
- Standard fluid temperatures from -40° F to +250 °F (-40° C to +121° C). Optional temperature ratings available - consult factory.
- Consult factory for other pressures and temperatures.
- Consult factory for power reels for 1" hose.
- 304 stainless steel construction.



Standard configuration shown

**PARTS DRAWING – ISO 177**

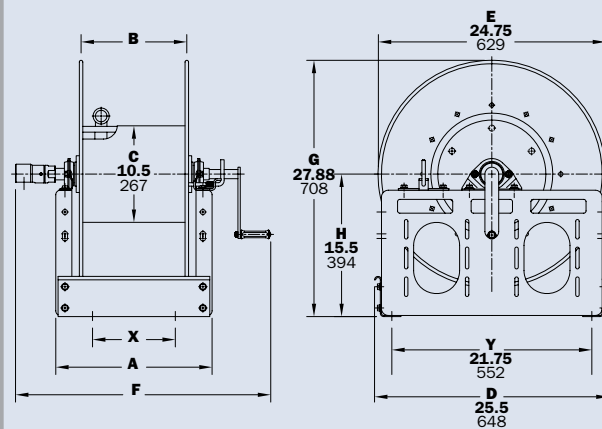
Model Number	Hose Capacity of Reel feet m				Approx. Weight Crank Rewind lb. kg		Reel Dimensions*** in. mm			
	I.D. in. mm	Round Hose		Collapsible Hose	NET	SHIP	A	B	F	X
		3/4 19	1 25	1 25						
	O.D. in. mm	1-9/32 33	1-1/2 40	1/2 x 1-3/4 13 x 44						
<b>SS3016-25-26</b>		<b>100</b> 30	<b>75</b> 23	<b>200</b> 61	<b>85</b> 39	<b>120</b> 54	<b>13</b> 330	<b>7.5</b> 191	<b>24.5</b> 622	<b>7.75</b> 197
<b>SS3020-25-26</b>		<b>150</b> 46	<b>100</b> 30	<b>300</b> 91	<b>94</b> 43	<b>129</b> 59	<b>17</b> 432	<b>11.5</b> 292	<b>28.5</b> 723	<b>9</b> 229
<b>SS3024-25-26</b>		<b>200</b> 61	<b>125</b> 38	<b>400</b> 122	<b>103</b> 47	<b>138</b> 63	<b>21</b> 533	<b>15.5</b> 394	<b>32.5</b> 825	<b>13</b> 330
<b>SS3028-25-26</b>		<b>275</b> 84	<b>175</b> 53	<b>550</b> 168	<b>113</b> 51	<b>163</b> 74	<b>25.5</b> 648	<b>20</b> 508	<b>37</b> 939	<b>17.5</b> 445

**Notes:**

1. Specifications subject to change.
2. Upon request, reels can be supplied with drum lengths other than shown and with disc sizes in other diameters.
3. Power rewind NOT available on these models.
4. Dimension "F" is the overall length of standard model reels. Crank rewind models, 3-1/2" clearance required to remove crank.
5. Subtract 5" from "F" dimension for disc rewind models.
6. Finish: Refer to page 2.
7. **Be sure to check dimensions and weights prior to ordering.**

**NOTICE:** A flexible connector must be used between the inlet pipe and the inlet swivel joint.

\*\*\*X, Y indicate mounting holes. See page 2.



# Series SS4000

- Food Processing • Bottling Plants • Fire Protection
- Water Supply • Chemical Transfer

**To handle single 3/4" or 1" I.D. hose.**

- Lightweight, compact reels designed for long lengths of hose.
- Manual rewind includes: cam-lock drag brake, spring actuated pin lock and removable direct crank rewind.
- Standard inlet: 90° stainless steel ball bearing swivel joint, 1" female NPT threads.
- Standard outlet: 1" female NPT threads.
- Rollers and roller mounting brackets are accessory items. Specify roller position.
- Pressures to 1000 psi (69 bar).
- Standard fluid temperatures from -40° F to +250 °F (-40° C to +121° C). Optional temperature ratings available - consult factory.
- Consult factory for other pressures and temperatures.
- 304 stainless steel construction.



Standard configuration shown

**PARTS DRAWING – ISO 178**

Model Number	Hose Capacity of Reel feet m			Approx. Weight Crank Rewind lb. kg			Reel Dimensions*** in. mm			
	I.D. in. mm	3/4 19	1 25	NET	UPS/ FedEx SHIP Wt.	Freight SHIP Wt.	A	B	F	X
	O.D. in. mm	1-9/32 33	1-1/2 40							
SS4018-17-18	50	35	36	80*	71	15	10	26.5	13.5	
	15	11	16	36	32	254	419	673	102	
SS4024-17-18	100	50	46	98*	81	21	16	32.5	19.5	
	30	15	21	45	37	533	406	826	495	
SS4030-17-18	150	75	57	110*	92	27	22	38.5	25.5	
	46	23	26	50	42	686	559	978	648	
SS4038-17-18	200	100	70	-	124	35	30	46.5	33.5	
	61	30	32	-	56	889	762	1181	851	

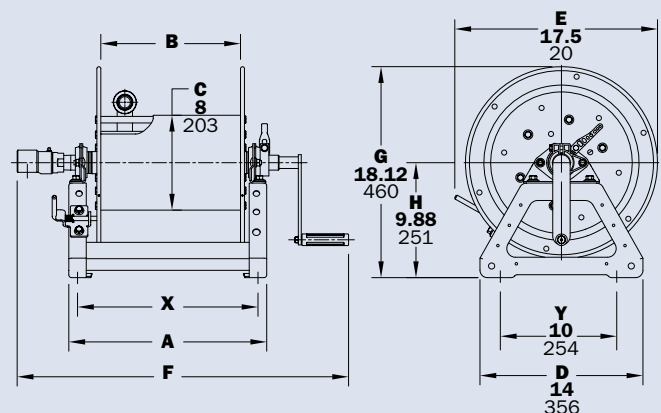
**Notes:**

1. Specifications subject to change.
2. Upon request, reels can be supplied with drum lengths other than shown.
3. Dimension "F" is the overall length of standard model reels. Crank rewind reels require 3-1/2" clearance to remove or install crank handle.
4. Finish: Refer to page 2.
5. **Be sure to check dimensions and weights prior to ordering.**

**NOTICE:** A flexible connector must be used between the inlet pipe and the inlet swivel joint.

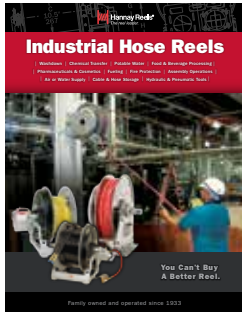
\* Dimensional weight applies when shipped as a parcel package (via FedEx or UPS Ground).

\*\*\*X, Y indicate mounting holes. See page 2.



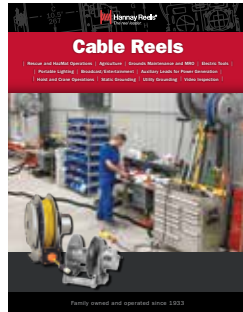
# Find reels for every need.

Learn more about all of our reels, including specs, drawings, and even how to select the right reels and accessories for your industry.



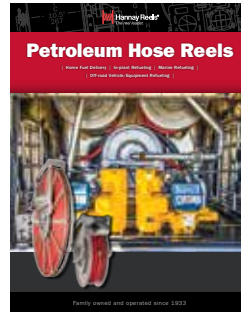
## Industrial Hose Reels

- High pressure/low pressure reels
- Air/Lube/Grease reels
- Fueling
- Washdown/Power Wash
- Industrial Fire Protection
- Hydraulic/Pneumatic applications
- Hose Storage



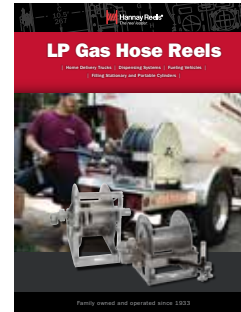
## Cable Reels

- Electric Tools
- Crane operations
- Portable Lighting
- Live and storage reels
- Video/Broadcast
- Static and Utility grounding reels



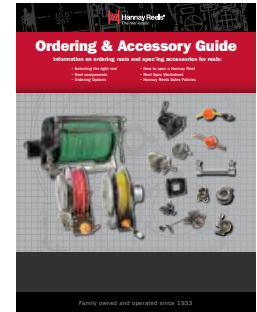
## Petroleum Reels

- Home fuel delivery
- in-plant refueling
- Marine refueling
- Work-truck fueling
- Inverted installations
- Single-wrap and multi-wrap reels



## LP Gas Reels

- Home delivery vehicles
- Dispensing systems
- Electric, hydraulic, air and spring rewind reels
- Manual rewind vapor reels
- Aluminum construction



## Ordering & Accessory Guide

- Selecting the right reel
- Reel components
- Available accessories
- How to spec and order reels and accessories
- Ordering options
- Hannay Reels policies

View all our reel catalogs online at [hannay.com](http://hannay.com)



Family owned and operated since 1933, Hannay Reels is the world leader in both OEM and aftermarket applications. Hannay offers thousands of standard hose reel and cable reel models, as well as unmatched custom capabilities. We can easily and affordably customize a reel to meet your exact specifications – built to last, delivered fast. Additional catalogs are available through your local Hannay Reels dealer or online at [hannay.com](http://hannay.com).



553 State Route 143 | Westerlo, New York 12193  
Email: [reels@hannay.com](mailto:reels@hannay.com) | [hannay.com](http://hannay.com)



All stainless steel Hannay reels are constructed of quality stainless steel (optional aluminum or heavy gauge steel also available on most models).

Phone: 518-797-3791 | Toll Free: 1-877-467-3357 | FAX: 518-797-3259

Form H-0419-SS Rev 8 / WEB 11-23

