

C
10.5"
267



Hannay Reels®
The reel leader.

Aviation Reels

| Fueling | Washdown & Potable Water | Hangar Operations & Aircraft Maintenance |
| Sensing | Static Grounding | Firefighting & Rescue | De-Icing |



Family owned and operated since 1933

CONTENTS

Hannay hose reels come in all sizes and capacities.

| Reel Type | I.D. Hose Sizes | Page |
|-------------------------------------|------------------|-------|
| Hannay Reels Sales Policies | | |
| | | 3 |
| Manual or Power Rewind Reels | | |
| Series V-6000 | 1" | 4-5 |
| Series V-1-1/2" | 1-1/4" or 1-1/2" | 6-7 |
| Series V-2" | 1-1/2" or 2" | 8 |
| Series V-3" | 2-1/2" or 3" | 9 |
| Series V-4" | 4" | 10-11 |
| Series V-5000 Single Wrap | 1-1/2" – 3" | 12-13 |
| Spring Rewind Reels | | |
| Series N600 Dual Hose | 1/4" – 3/8" | 14 |
| Series V-N800 | 1" | 15 |
| Series V-800 | 1" | 16 |
| Series V-900 | 1-1/4" or 1-1/2" | 17 |
| Static Grounding Reels | | |
| Series GR/HGR | | 18-19 |



| Mounting Hole Sizes | |
|---|---|
| N Series Reels | 7/16" wide x 7/8" long slot running front to back |
| Pressed Frame Reels and Channel Framed Reels | 7/16" wide x 7/8" long slot running left to right |
| Series 5000 | 5/8" round holes |
| Static Grounding Reels | 13/32" round holes |

Note to Designers and Engineers

The reels shown in this catalog are the standard of the industry. These models reflect various installation and performance requirements.

The high quality of our **standard steel construction** is only the beginning.

Hannay Reels offers any size configuration to fit a defined space, and we construct many models of reels of **aluminum** or **stainless steel**. Specifically, we use 5000 and 6000 Series aluminum and 304 stainless steel in the manufacture of frames, discs, drums, and internals as well as other structural components. This type of construction eliminates the need for maintenance repainting and part replacement due to rust or corrosion.

Please consult factory on any fuel handling questions.

For the many accessories and components available on our standard reel models such as roller guides, switches, brakes and locks, etc., please refer to our Ordering & Accessory Guide H-0415-OA.

Notice on Reel Finish

Standard finish on Hannay reels is a high performance modified acrylic enamel paint. Standard color is metallic graphite. Other colors available at no additional cost include red, white, black, and primer.

Most of the major components on standard reels are e-coated prior to receiving final topcoat paint finish. This combination of e-coat and enamel topcoat will meet the finish requirements of most customer applications and environments.

In cases where requirements cannot be met with the standard finish, Hannay Reels can coat any model reel with an automotive primer, allowing application of final coating at your facility. Alternatively, Hannay Reels can provide a quote for matching a customer-provided paint specification. For further information, please contact your Hannay Reels sales engineer and a special paint request form will be sent to you.

For environments where no paint finish is suitable, we offer both aluminum and stainless steel (304 grade) construction on most reel models.

Hannay Reels **Sales Policies**

Hannay Reels 3-Year Limited Warranty

Products manufactured by Hannay Reels, Inc. (“Hannay”) are warranted for 3 years from date of shipment when properly installed, maintained, and operated in accordance with Hannay instructions. In no event will Hannay have a warranty obligation for normal wear and tear, or for products that have, at Hannay’s determination, been subjected to accident, abuse, misapplication, improper installation or improper maintenance. Common examples of normal wear and tear would include paint finish, swivel joint seal wear, and switch or motor brush wear.

Hannay makes no warranties, express or implied, other than those included in this warranty statement, and we disclaim any implied warrant of merchantability or fitness for any particular purpose. Hannay will not be liable for any consequential, incidental, or indirect damages from any cause whatsoever.

Failure to use a flexible inlet connection on any live hose reel will void the swivel joint warranty. Failure to use a properly sized circuit breaker with any electric rewind motor will void the electric motor warranty. Failure to use a filter and lubricator on any air rewind motor will void the air motor warranty. Failure to follow all procedures outlined in the Safety Guidelines document will void the warranty.

Components not manufactured by Hannay will be subject to the original manufacturers’ warranties. Examples of such components include: hose and cable, motors, speed controls, and switches, swivel joints and seals, slip ring and brush assemblies.

Equipment which proves to be defective upon our inspection will be replaced free of charge, including freight to the customer. Our responsibility ceases upon delivery to any common carrier and we do not, unless previously instructed, insure shipments beyond point of delivery to such carrier. **No material will be accepted for return without a return goods authorization (RGA).** This warranty extends to the replacement or repair of the reel or part (no labor).

Hannay reserves the right to modify or alter materials, dimensions, design, and construction when necessary to improve the performance of the reel and/or accessories, or to meet delivery requirements.

Notice on Reel Finish

Standard finish on Hannay reels is a high performance enamel paint. Standard color is metallic graphite. Other colors available, please consult factory.

Most of the major components on standard reels are e-coated prior to receiving final topcoat paint finish. This combination of e-coat and enamel topcoat will meet the finish requirements of most customer applications and environments.

In cases where requirements cannot be met with the standard finish, Hannay Reels can coat any model reel with an automotive primer, allowing application of final coating at your facility.

Alternatively, Hannay Reels can provide a quote for matching a customer-provided paint specification. For further information, please contact your Hannay Reels sales engineer and a special paint request form will be sent to you.

For environments where no paint finish is suitable, we offer both aluminum and stainless steel (304 grade) construction on most reel models.

Return Goods Policy

All Hannay reels are built to order. These orders are typically placed into production within 1 business day of receipt. Once production begins, it may not be possible to cancel the order.

To prevent returns because the wrong reels or parts were ordered, please use the Hannay Reels Spec Worksheet (either online or from our Ordering & Accessory Guide) when specifying reels. Be sure to include any size, weight, pressure and/or material compatibility limitations for the application.

In the event that an item does need to be returned for credit, repair or replacement, prior approval must be obtained from Hannay Reels. Upon your request, we will send a Return Goods

Authorization (RGA) form. A signed copy of this form must accompany the material when returned to us, with the RGA number clearly showing on the outside of the box—a label is provided to you that you can print and attach. No product will be accepted for return or credit without an authorized RGA number.

All material must be returned prepaid, unless otherwise noted on our RGA. No return will be accepted that has been damaged due to improper return packaging, tampered with or altered from its original condition. Our restocking and handling fee is a minimum of 25% for standard catalog reels and parts. Custom reels specially built to customer specifications cannot be returned for any reason.

Series V-6000

To handle single 1" I.D. hose.

- Rugged, industrial-duty construction.
- Choose gear-driven crank rewind or chain and sprocket drive powered by an electric, hydraulic or compressed air motor.
- Crank rewind reels supplied with pinion brake; power rewind reels with a strap brake.
- Standard inlet: 90° #304 stainless steel ball bearing swivel joints, 1" female NPT threads.
- Standard outlet: 1" female NPT threads.
- Standard inlet, outlet riser, and hub assembly are stainless steel. Optional aluminum swivel joint is available.
- One-piece welded hub assembly.
- Optional rollers are available.
- Standard pressures to 1000 psi (69 bar).
- Standard fluid temperatures from -15° F to +250 °F (-26° C to +121° C). Optional temperature ratings available - consult factory.
- Chain guard available upon request, must be specified.



Standard configuration shown with Electric Rewind (V-EPJ) option



Standard configuration shown with Electric Rewind (V-EPJ) option, optional Assembly C2 roller top wind and auxiliary rewind



Optional Auxiliary Rewind

Ring and pinion shaft rewind unit with removable crank handle.

Series V-6000

PARTS DRAWING – ISO 84

| Model Number For power rewind see Note 5 | Hose Capacity of Reel feet m | | Approx. Weight Crank Rewind lb. kg see Note 4 | | Reel Dimensions*** in. mm | | | | | | | | | |
|--|---------------------------------|--------------------|--|------------|------------------------------|-------------|-------------|--------------|--------------|--------------|--------------|--------------|-------------|--------------|
| | I.D. in. mm | 1 | NET | SHIP | A | B | D | E | F CRANK | F POWER | G | H | X | Y |
| | | 25 1-9/16 40 | | | | | | | | | | | | |
| V-6024-19-21 | | 60 | 85 | 127 | 21 | 15.5 | 20.5 | 18.75 | 25.38 | 30 | 21.5 | 12.12 | 13 | 16.75 |
| | | 18 | 39 | 58 | 533 | 394 | 521 | 476 | 645 | 762 | 546 | 308 | 330 | 425 |
| V-6032-19-21 | | 85 | 102 | 144 | 29.5 | 24 | 20.5 | 18.75 | 33.88 | 38.5 | 21.5 | 12.12 | 21.5 | 16.75 |
| | | 26 | 46 | 65 | 749 | 610 | 521 | 476 | 861 | 978 | 546 | 308 | 546 | 425 |
| V-6024-23-24 | | 100 | 92 | 134 | 21 | 15.5 | 20.5 | 22.75 | 25.38 | 30 | 23.5 | 12.12 | 13 | 16.75 |
| | | 30 | 42 | 61 | 533 | 394 | 521 | 578 | 645 | 762 | 597 | 308 | 330 | 425 |
| V-6030-23-24 | | 150 | 105 | 147 | 27.5 | 22 | 20.5 | 22.75 | 31.88 | 36.5 | 23.5 | 12.12 | 19.5 | 16.75 |
| | | 46 | 48 | 67 | 699 | 559 | 521 | 578 | 810 | 927 | 597 | 308 | 495 | 425 |
| V-6038-23-24 | | 175 | 120 | 162 | 35 | 29.5 | 20.5 | 22.75 | 39.38 | 44 | 23.5 | 12.12 | 27 | 16.75 |
| | | 53 | 54 | 73 | 889 | 749 | 521 | 578 | 1000 | 1118 | 597 | 308 | 686 | 425 |
| V-6016-25-26 | | 60 | 88 | 130 | 13 | 7.5 | 25.5 | 24.75 | 17.38 | 22 | 27.88 | 15.5 | 7.75 | 21.75 |
| | | 18 | 40 | 59 | 330 | 191 | 648 | 629 | 441 | 559 | 708 | 394 | 197 | 552 |
| V-6022-25-26 | | 100 | 100 | 142 | 19 | 13.5 | 25.5 | 24.75 | 23.38 | 28 | 27.88 | 15.5 | 11 | 21.75 |
| | | 30 | 45 | 64 | 483 | 343 | 648 | 629 | 594 | 711 | 708 | 394 | 279 | 552 |
| V-6028-25-26 | | 175 | 113 | 155 | 25.5 | 20 | 25.5 | 24.75 | 29.88 | 34.5 | 27.88 | 15.5 | 17.5 | 21.75 |
| | | 53 | 51 | 70 | 648 | 508 | 648 | 629 | 759 | 876 | 708 | 394 | 445 | 552 |
| V-6018-30-31 | | 125 | 101 | 151 | 15 | 9.5 | 25.5 | 28.75 | 19.38 | 24 | 29.88 | 15.5 | 7 | 21.75 |
| | | 38 | 46 | 68 | 381 | 241 | 648 | 730 | 492 | 610 | 759 | 394 | 178 | 552 |
| V-6024-30-31 | | 175 | 113 | 163 | 21 | 15.5 | 25.5 | 28.75 | 25.38 | 30 | 29.88 | 15.5 | 13 | 21.75 |
| | | 53 | 51 | 74 | 533 | 394 | 648 | 730 | 645 | 762 | 759 | 394 | 330 | 552 |
| V-6028-30-31 | | 250 | 121 | 171 | 25.5 | 20 | 25.5 | 28.75 | 29.88 | 34.5 | 29.88 | 15.5 | 17.5 | 21.75 |
| | | 76 | 55 | 78 | 648 | 508 | 648 | 730 | 759 | 876 | 759 | 394 | 445 | 552 |
| † V-6030-30-31 | | 275 | 125 | 175 | 27.5 | 22 | 25.5 | 28.75 | 31.88 | 36.5 | 29.88 | 15.5 | 19.5 | 21.75 |
| | | 84 | 57 | 79 | 699 | 559 | 648 | 730 | 810 | 927 | 759 | 394 | 495 | 552 |
| † V-6028-33-34 | | 300 | 129 | 179 | 25 | 20 | 31.5 | 31.75 | 29.75 | 34.25 | 33.63 | 17.75 | 17.5 | 27.75 |
| | | 91 | 59 | 81 | 635 | 508 | 800 | 806 | 756 | 870 | 854 | 451 | 445 | 705 |

Notes:

- Specifications subject to change.
- Upon request, reels can be supplied with drum lengths other than shown and with disc sizes in other diameters.
- Dimensions shown for reels up to and including 30-31 disc size reflect pressed frames. All others are rollformed channel frames.
- Weights shown in chart are for crank rewind models. Prefix model number with V-
ADD these amounts for power rewind models:

| | Net lbs/kg | Ship lbs/kg |
|------------------------|----------------|----------------|
| Electric 1/2 HP | 40/18.1 | 40/18.1 |
| Hydraulic | 20/9.1 | 20/9.1 |
| Air | 20/9.1 | 20/9.1 |

- When ordering power rewind models, replace prefix V- with:
V-A = Air Rewind—Supplied with control valve and 18" air hose.
V-EPJ = Explosion-Proof Electric Rewind (1/2 HP)—12v and 24v DC rewind reels supplied with explosion-proof switch, solenoid, and junction box. 115v AC rewind reels supplied with explosion-proof switch and junction box.
V-HD = Hydraulic Rewind—not supplied with control valve.

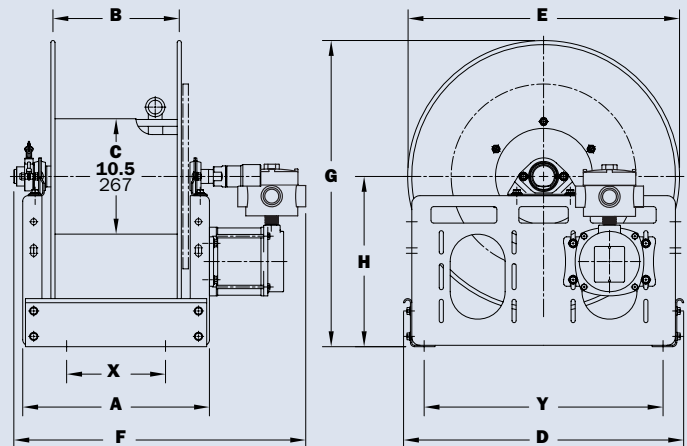
6. **Finish:** Refer to page 2.

7. **Be sure to check dimensions and weights prior to ordering.**

NOTICE: A flexible connector must be used between the inlet pipe and the inlet swivel joint.

*** X, Y indicate mounting holes. See page 2.

† Some applications require a manual clutch/reduction unit (consult factory).



Electric power rewind shown with junction box

Series V-1-1/2"

To handle single 1-1/4" or 1-1/2" I.D. hose.

- Rugged, industrial-duty construction.
- Gear-driven crank rewind or chain and sprocket drive powered by an electric, hydraulic or compressed air motor.
- Optional auxiliary crank rewind for power rewind reels.
- Crank rewind reels supplied with pinion brake and power rewind reels with a comet brake.
- Standard inlet: 90° ball bearing swivel joint, 1-1/2" female NPT threads, and 2" Victaulic® groove.
- Standard outlet: 1-1/2" female NPT threads.
- Other sizes and/or threads can be furnished and must be specified.
- Inlet, outlet riser, hub assembly are aluminum for jet fuels. Stainless steel fluid path is available at extra cost.
- Rollers and roller mounting brackets are accessory items. Must specify roller position.
- Chain guard is available upon request, must be specified.
- Standard pressures to 600 psi (41 bar).
- Standard fluid temperatures from -20° F to +212 °F (-29° C to +100° C).
- Consult factory for other pressures and temperatures.



Standard configuration shown with Electric Rewind (V-EPJ) option



Standard configuration shown with Electric Rewind (V-EPJ) option and optional Assembly C2 roller

Series V-1-1/2"

PARTS DRAWING – ISO 18

| Model Number <small>For Power Rewind see Notes 4 & 5</small> | Hose Capacity of Reel feet m | | | Approx. Weight Crank Rewind lb. kg <small>See Note 4</small> | | Reel Dimensions*** in. mm | | | | | | | | | |
|---|---------------------------------|-------------|-------------|---|------|------------------------------|------|------|-------|------------|------------|-------|-------|------|-------|
| | I.D. in. mm | 1-1/4 32 | 1-1/2 38 | NET | SHIP | A | B | D | E | F CRANK | F POWER | G | H | X | Y |
| | O.D. in. mm | 1.89 48 | 2.10 53 | | | | | | | | | | | | |
| V-26-19-21 | 60 | 50 | | 99 | 141 | 23 | 17.5 | 20.5 | 18.75 | 29.5 | 31.88 | 21.5 | 12.12 | 15 | 16.75 |
| | 18 | 15 | | 45 | 64 | 584 | 445 | 521 | 476 | 749 | 810 | 546 | 308 | 381 | 425 |
| V-32-19-21 | 75 | 75 | 112 | 154 | | 29.5 | 24 | 20.5 | 18.75 | 36.0 | 38.38 | 21.5 | 12.12 | 21.5 | 16.75 |
| | 23 | 23 | 51 | 70 | | 749 | 610 | 521 | 476 | 914 | 975 | 546 | 308 | 546 | 425 |
| V-40-19-21 | 100 | 100 | 128 | 170 | | 37.5 | 32 | 20.5 | 18.75 | 44.0 | 46.38 | 21.5 | 12.12 | 29.5 | 16.75 |
| | 30 | 30 | 58 | 77 | | 953 | 813 | 521 | 476 | 1118 | 1178 | 546 | 308 | 749 | 425 |
| V-24-23-24 | 85 | 50 | 102 | 144 | | 21 | 15.5 | 20.5 | 22.75 | 27.5 | 29.88 | 23.5 | 12.12 | 13 | 16.75 |
| | 26 | 15 | 46 | 65 | | 533 | 394 | 521 | 578 | 699 | 759 | 597 | 308 | 330 | 425 |
| V-32-23-24 | 125 | 75 | 119 | 161 | | 29.5 | 24 | 20.5 | 22.75 | 36.0 | 38.38 | 23.5 | 12.12 | 21.5 | 16.75 |
| | 38 | 23 | 54 | 73 | | 749 | 610 | 521 | 578 | 914 | 975 | 597 | 308 | 546 | 425 |
| V-38-23-24 | 175 | 100 | 130 | 172 | | 35 | 29.5 | 20.5 | 22.75 | 41.5 | 43.88 | 23.5 | 12.12 | 27 | 16.75 |
| | 53 | 30 | 59 | 78 | | 889 | 749 | 521 | 578 | 1054 | 1115 | 597 | 308 | 686 | 425 |
| V-20-25-26 | 75 | 60 | 106 | 148 | | 17 | 11.5 | 25.5 | 24.75 | 23.5 | 25.88 | 27.88 | 15.5 | 9 | 21.75 |
| | 23 | 18 | 48 | 67 | | 432 | 292 | 648 | 629 | 597 | 657 | 708 | 394 | 229 | 552 |
| V-24-25-26 | 100 | 75 | 114 | 156 | | 21 | 15.5 | 25.5 | 24.75 | 27.5 | 29.88 | 27.88 | 15.5 | 13 | 21.75 |
| | 30 | 23 | 52 | 71 | | 533 | 394 | 648 | 629 | 699 | 759 | 708 | 394 | 330 | 552 |
| V-28-25-26 | 125 | 100 | 123 | 165 | | 25.5 | 20.0 | 25.5 | 24.75 | 32.0 | 34.38 | 27.88 | 15.5 | 17.5 | 21.75 |
| | 38 | 30 | 56 | 75 | | 648 | 508 | 648 | 629 | 813 | 873 | 708 | 394 | 445 | 552 |
| V-16-30-31 | 50 | 50 | 106 | 156 | | 13 | 7.5 | 25.5 | 28.75 | 19.5 | 21.88 | 29.88 | 15.5 | 7.75 | 21.75 |
| | 15 | 15 | 48 | 71 | | 330 | 191 | 648 | 730 | 495 | 556 | 759 | 394 | 197 | 552 |
| V-20-30-31 | 100 | 75 | 114 | 164 | | 17 | 11.5 | 25.5 | 28.75 | 23.5 | 25.88 | 29.88 | 15.5 | 9 | 21.75 |
| | 30 | 23 | 52 | 74 | | 432 | 292 | 648 | 730 | 597 | 657 | 759 | 394 | 229 | 552 |
| † V-22-30-31 | 125 | 100 | 118 | 168 | | 19 | 13.5 | 25.5 | 28.75 | 25.5 | 27.88 | 29.88 | 15.5 | 11 | 21.75 |
| | 38 | 30 | 54 | 76 | | 483 | 343 | 648 | 730 | 648 | 708 | 759 | 394 | 279 | 552 |
| † V-28-30-31 | 200 | 150 | 131 | 181 | | 25.5 | 20.0 | 25.5 | 28.75 | 32.0 | 34.38 | 29.88 | 15.5 | 17.5 | 21.75 |
| | 60 | 46 | 59 | 82 | | 648 | 508 | 648 | 730 | 813 | 873 | 759 | 394 | 445 | 552 |
| † V-24-33-34 | 175 | 150 | 129 | 179 | | 20.5 | 15.5 | 31.5 | 31.75 | 27.25 | 29.63 | 33.62 | 17.75 | 13 | 27.75 |
| | 53 | 46 | 59 | 81 | | 521 | 394 | 800 | 806 | 692 | 753 | 854 | 451 | 330 | 705 |

Notes:

- Specifications subject to change.
- Upon request, reels can be supplied with drum lengths other than shown and with disc sizes in other diameters.
- Dimensions shown for reels up to and including 30-31 disc size reflect pressed frames. All others are rollformed channel frames.
- Weights shown in chart are for crank rewind models. Prefix model number with V-. ADD these amounts for power rewind models:

| | Net lbs/kg | Ship lbs/kg |
|-----------|------------|-------------|
| Electric | 40/18.1 | 40/18.1 |
| Hydraulic | 20/9.1 | 20/9.1 |
| Air | 20/9.1 | 20/9.1 |

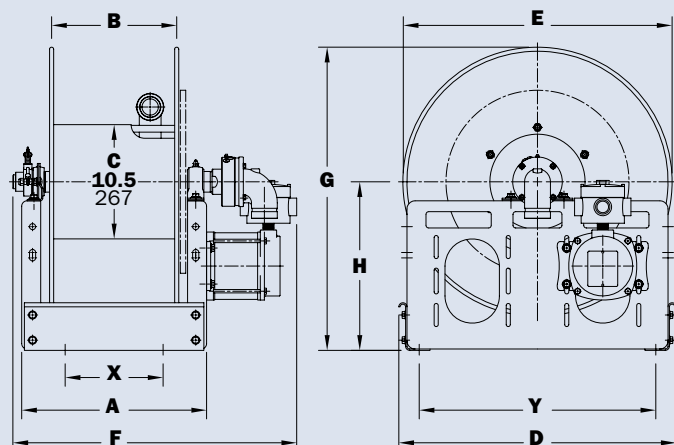
- When ordering power rewind models, replace prefix V- with:
 - V-A = Air Rewind—Supplied with control valve and 18" air hose.
 - V-EPJ = Explosion-Proof Electric Rewind (1/2 HP)—Supplied with explosion-proof switch, solenoid, and junction box.
 - V-HD = Hydraulic Rewind—Not supplied with control valve.
- For Air Rewind on models over 100 ft. of 1-1/2", consult factory.

7. Be sure to check dimensions and weights prior to ordering.

NOTICE: A flexible connector must be used between the inlet pipe and the inlet swivel joint.

† Some applications may require a different motor and/or a clutch/reduction unit.

***X, Y indicate mounting holes. See page 2.



Series V-2"

To handle single 1-1/2" or 2" I.D. hose.

- Rugged, industrial-duty channel frame construction.
- Gear-driven crank rewind or chain and sprocket drive powered by an electric, hydraulic or compressed air motor.
- Optional auxiliary crank rewind for power rewind reels.
- Crank rewind reels supplied with pinion brake and power rewind reels with a comet brake.
- Standard inlet: 90° ball bearing swivel joint with 2" Victaulic® groove.
- Standard outlet: 2" female NPT threads.
- Other sizes and/or threads can be furnished and must be specified.
- Inlet, outlet riser, hub assembly are aluminum for jet fuels. Stainless steel fluid path is available at extra cost.
- Rollers and roller mounting brackets are accessory items. Must specify roller position.
- Standard pressures to 150 psi (10 bar).
- Standard fluid temperatures from -20° F to +212 °F (-29° C to +100° C).
- Consult factory for other pressures and temperatures.



Standard configuration shown with Electric Rewind (V-EPJ) option



Inline Gearbox

For use on power reels with disc diameter 39" or larger and/or when increased torque and slower rewind speeds are required. Factory installed when specified or available as an accessory item.

Series V-2"

PARTS DRAWING – ISO 35

| Model Number For Power Rewind see Notes 3 & 4 | Hose Capacity of Reel feet m | | | Approx. Weight Crank Rewind lb. kg See Note 3 | | Reel Dimensions*** in. mm | | | | | | | | | |
|--|---------------------------------|------------------|------------------|--|---------------------|------------------------------|--------------------|---------------------|---------------------|----------------------|----------------------|---------------------|---------------------|---------------------|-------|
| | I.D. in. mm | 1-1/2 38 | 2 51 | NET | SHIP | A | B | D | E | F CRANK | F POWER | G | H | X | Y |
| | O.D. in. mm | 2.06 52 | 2.67 68 | | | 23.75 | 17.5 | 27 | 25.75 | 31 | 32.75 | 26.62 | 13.75 | 16.25 | 23.25 |
| V-232-26-27-15.5 | 70 21 | 50 15 | 104 47 | 154 70 | 23.75 603 | 17.5 445 | 27 686 | 25.75 654 | 31 787 | 32.75 832 | 26.62 676 | 13.75 349 | 16.25 413 | 23.25 591 | |
| V-238-26-27-15.5 | 100 30 | 75 23 | 145 66 | 195 88 | 30.25 768 | 24 610 | 27 686 | 25.75 654 | 37.5 953 | 39.25 997 | 26.62 676 | 13.75 349 | 22.75 578 | 23.25 591 | |
| V-246-26-27-15.5 | 140 43 | 100 30 | 196 89 | 246 112 | 38.25 972 | 32 813 | 27 686 | 25.75 654 | 45.5 1156 | 47.25 1200 | 26.62 676 | 13.75 349 | 30.75 781 | 23.25 591 | |
| V-224-33-34-15.5 | 60 18 | 50 15 | 70 32 | 140 64 | 15.75 400 | 9.5 241 | 31.5 800 | 31.75 806 | 23 584 | 24.75 629 | 33.38 848 | 17.5 445 | 8.25 210 | 27.75 705 | |
| V-228-33-34-15.5 | 100 30 | 75 23 | 92 42 | 162 73 | 19.75 502 | 13.5 343 | 31.5 800 | 31.75 806 | 27 686 | 28.75 730 | 33.38 848 | 17.5 445 | 12.25 311 | 27.75 705 | |
| V-234-33-34-15.5 | 140 43 | 100 30 | 133 60 | 203 92 | 26.25 667 | 20 508 | 31.5 800 | 31.75 806 | 33.5 851 | 35.25 895 | 33.38 848 | 17.5 445 | 18.75 476 | 27.75 705 | |
| V-232-39-40-15.5 | 250 76 | 150 46 | 180 82 | 250 113 | 23.75 603 | 17.5 445 | 40 1016 | 39 991 | 31 787 | 32.75 832 | 39.88 1013 | 20.38 518 | 16.25 413 | 37 940 | |
| V-240-39-40-15.5 | 350 107 | 200 61 | 218 99 | 288 131 | 32.25 819 | 26 660 | 40 1016 | 39 991 | 39.5 1003 | 41.25 1048 | 39.88 1013 | 20.38 518 | 22.75 578 | 37 940 | |

Notes:

- Specifications subject to change.
- Upon request, reels can be supplied with drum lengths other than shown and with disc sizes in other diameters.
- Weights shown in chart are for crank rewind models. Prefix model number with **V-**. ADD these amounts for power rewind models:

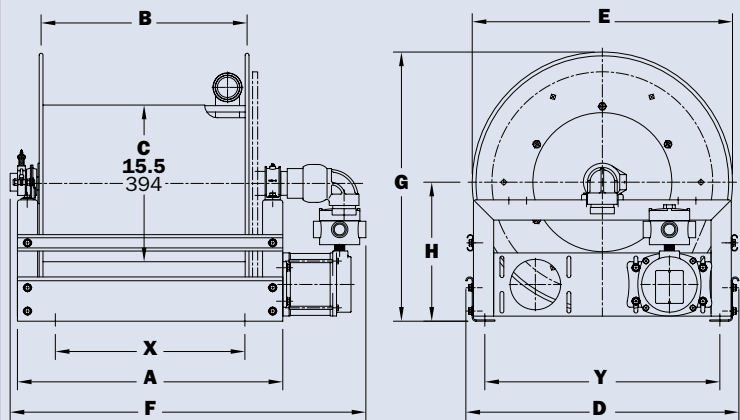
| | Net lbs/kg | Ship lbs/kg |
|------------------|----------------|----------------|
| Electric | 40/18.1 | 40/18.1 |
| Hydraulic | 20/9.1 | 20/9.1 |
| Air | 20/9.1 | 20/9.1 |

- When ordering power rewind models, replace prefix **V-** with:
 - V-A** = Air Rewind–Supplied with control valve and 18" air hose.
 - V-EPJ** = Explosion-Proof Electric Rewind (1/2 HP)–Supplied with explosion-proof switch, solenoid, and junction box.
 - V-HD** = Hydraulic Rewind–Not supplied with control valve.

5. Be sure to check dimensions and weights prior to ordering.

NOTICE: A flexible connector must be used between the inlet pipe and the inlet swivel joint.

***X, Y indicate mounting holes. See page 2.



Series V-3"

To handle 2-1/2" or 3" I.D. hose.

- Rugged, industrial-duty channel frame construction.
- Gear-driven crank rewind or chain and sprocket drive powered by an electric, hydraulic or compressed air motor.
- Pinion shaft brake as auxiliary crank rewind on power reels, at extra cost.
- Crank rewind supplied with pinion brake, power reels with comet brake. Other brakes and locking devices may be specified.
- Standard inlet: 90° ball bearing swivel joint, 3" Victaulic® groove.
- Standard outlet: 3" female NPT threads.
- Consult factory for other sizes and/or threads.
- Inlet, outlet riser, and hub assembly are aluminum for jet fuels. Stainless steel fluid path is available at extra cost.
- Rollers and roller mounting brackets are accessory items. Specify roller position.
- Standard pressures to 150 psi (10 bar). Standard fluid temperatures from -20° F to +212 °F (-29° C to +100° C).
- Consult factory for other pressures and temperatures.



Standard configuration shown with Electric Rewind (V-EPJ) option



Inline Gearbox

For use on power reels with disc diameter 39" or larger and/or when increased torque and slower rewind speeds are required. Factory installed when specified or available as an accessory item.

PARTS DRAWING – ISO 57

| Model Number For Power Rewind see Notes 3 & 4 | Hose Capacity of Reel feet m | | | Approx. Weight Crank Rewind lb. kg See Note 3 | | Reel Dimensions*** in. mm | | | | | | | | | | |
|---|---------------------------------|-------------|------------|--|------------|------------------------------|-------------|-------------|-------------|--------------|--------------|--------------|--------------|--------------|--------------|--------------|
| | I.D. in. mm | 2-1/2 64 | 3 76 | NET | SHIP | A | B | C | D | E | F | F | G | H | X | Y |
| | O.D. in. mm | 3.25 83 | 3.78 96 | | | | | | | | CRANK | POWER | | | | |
| V-334-26-27-15.5 | | *25 | - | 116 | 166 | 26.25 | 20 | 15.5 | 27 | 27.38 | 35.75 | 36.25 | 27.12 | 14.25 | 18.75 | 23.25 |
| | | 8 | - | 53 | 75 | 667 | 508 | 394 | 686 | 695 | 908 | 921 | 689 | 362 | 476 | 591 |
| V-340-26-27-15.5 | | *35 | - | 153 | 203 | 32.25 | 26 | 15.5 | 27 | 27.38 | 41.75 | 42.25 | 27.12 | 14.25 | 24.75 | 23.25 |
| | | 11 | - | 69 | 92 | 819 | 660 | 394 | 686 | 695 | 1060 | 1073 | 689 | 362 | 629 | 591 |
| V-350-26-27-15.5 | | *50 | - | 213 | 340 | 42.25 | 36 | 15.5 | 27 | 27.38 | 51.75 | 52.25 | 27.12 | 14.25 | 34.75 | 23.25 |
| | | 15 | - | 97 | 155 | 1073 | 914 | 394 | 686 | 695 | 1314 | 1327 | 689 | 362 | 883 | 591 |
| V-332-33-34-20 | | 25 | 25 | 125 | 195 | 23.75 | 17.5 | 20 | 31.5 | 31.75 | 33.25 | 33.75 | 33.88 | 18 | 16.25 | 27.75 |
| | | 8 | 8 | 57 | 88 | 603 | 445 | 508 | 800 | 806 | 845 | 857 | 861 | 457 | 413 | 705 |
| V-346-33-34-20 | | 50 | 50 | 237 | 307 | 38.25 | 32 | 20 | 31.5 | 31.75 | 47.75 | 48.25 | 33.88 | 18 | 30.75 | 27.75 |
| | | 15 | 15 | 108 | 139 | 972 | 813 | 508 | 800 | 806 | 1213 | 1226 | 861 | 457 | 781 | 705 |
| V-332-39-40-20 | | 65 | 50 | 201 | 271 | 23.75 | 17.5 | 20 | 40 | 39 | 33.25 | 33.75 | 40.38 | 20.88 | 16.25 | 37 |
| | | 20 | 15 | 91 | 123 | 603 | 445 | 508 | 1016 | 991 | 845 | 857 | 1026 | 530 | 413 | 940 |
| V-338-39-40-20 | | 90 | 80 | 239 | 309 | 30.25 | 24 | 20 | 40 | 39 | 39.75 | 40.25 | 40.38 | 20.88 | 22.75 | 37 |
| | | 27 | 24 | 108 | 140 | 768 | 610 | 508 | 1016 | 991 | 1010 | 1022 | 1026 | 530 | 578 | 940 |
| V-334-45-46-20 | | 120 | 100 | 361 | 431 | 26.25 | 20 | 20 | 46 | 45 | 35.75 | 36.25 | 46.38 | 23.88 | 18.75 | 43 |
| | | 37 | 30 | 164 | 195 | 667 | 508 | 508 | 1168 | 1143 | 908 | 921 | 1178 | 607 | 476 | 1092 |

Notes:

1. Specifications subject to change.
2. Upon request, reels can be supplied with drum lengths other than shown and with disc sizes in other diameters.
3. Weights shown in chart are for crank rewind models. Prefix model number with **V-**. ADD these amounts for power rewind models:

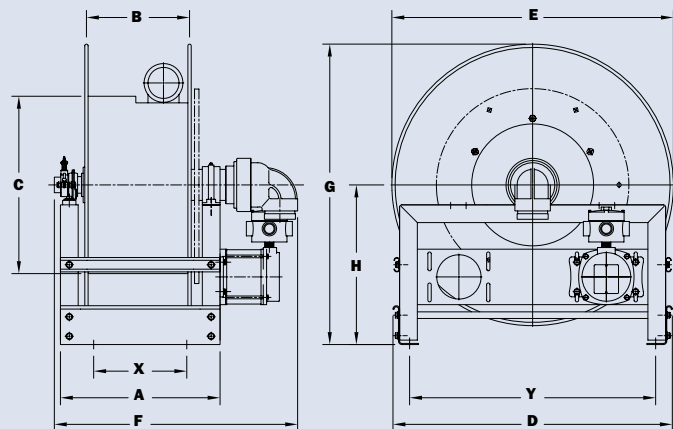
| | Net lbs/kg | Ship lbs/kg |
|------------------|----------------|----------------|
| Electric | 40/18.1 | 40/18.1 |
| Hydraulic | 20/9.1 | 20/9.1 |
| Air | 20/9.1 | 20/9.1 |

4. When ordering power rewind models, replace prefix **V-** with:
 - V-A** = Air Rewind–Supplied with control valve and 18" air hose.
 - V-EPJ** = Explosion-Proof Electric Rewind (1/2 HP)–Supplied with explosion-proof switch, solenoid, and junction box.
 - V-HD** = Hydraulic Rewind–Not supplied with control valve.

5. **Be sure to check dimensions and weights prior to ordering.**
NOTICE: A flexible connector must be used between the inlet pipe and the inlet swivel joint.

*Be sure to verify bend radius of hose before ordering.

***X, Y indicate mounting holes. See page 2.



Series V-4"

To handle 4" I.D. hose.

- Rugged, industrial-duty channel frame construction.
- Gear-driven crank rewind, or chain and sprocket drive powered by an electric, hydraulic or compressed air motor.
- Pinion shaft brake as auxiliary on power reels, at extra cost.
- Crank rewind reels supplied with pinion brake, power reels with comet brake. Other brakes and locking devices may be specified.
- Standard inlet: 90° ball bearing swivel joint, 4" female NPT threads.
- Standard outlet: 4" female NPT threads.
- Consult factory for other sizes and/or threads.
- Standard outlet riser and hub assembly are steel with iron inlet swivel joint. For jet fuels, can be supplied in stainless steel, at extra cost.
- Rollers and roller mounting brackets are accessory items. Specify roller position.
- Standard pressures to 150 psi (10 bar). Standard fluid temperatures from -20° F to +212 °F (-29° C to +100° C).
- Consult factory for other pressures and temperatures.



Standard configuration shown with Electric Rewind (V-EPJ) option



Inline Gearbox

For use on power reels with disc diameter 39" or larger and/or when increased torque and slower rewind speeds are required. Factory installed when specified or available as an accessory item.

| Model Number <small>For Power Rewind see Notes 3 & 4</small> | Hose Capacity of Reel feet m | | Approx. Weight Crank Rewind lb. kg <small>See Note 3</small> | | Reel Dimensions*** in. mm | | | | | | | | | | |
|---|---------------------------------|-------------------|--|--------------------|------------------------------|--------------------|-------------------|-------------------|---------------------|---------------------|---------------------|-------------------|--------------------|-------------------|-------------------|
| | I.D. in. mm | 4 102 | NET | SHIP | A | B | C | D | E | F CRANK | F POWER | G | H | X | Y |
| | O.D. in. mm | 5 127 | | | | | | | | | | | | | |
| V-426-52-54-36 | - | - | 255 116 | 325 147 | 18.5 470 | 11.5 292 | 36 914 | 53 1346 | 52 1321 | 29.75 756 | 29.25 743 | 55 1397 | 29 737 | 11 279 | 50 1270 |
| V-430-52-54-36 | *30 9 | 275 125 | 345 156 | 22.5 572 | 15.5 394 | 36 914 | 53 1346 | 52 1321 | 33.75 857 | 33.25 845 | 55 1397 | 29 737 | 15 381 | 50 1270 | |
| V-434-52-54-36 | *40 12 | 290 132 | 360 163 | 27 686 | 20 508 | 36 914 | 53 1346 | 52 1321 | 38.25 972 | 37.75 959 | 55 1397 | 29 737 | 19.5 495 | 50 1270 | |
| V-426-56-58-36 | - | 290 132 | 360 163 | 18.5 470 | 11.5 292 | 36 914 | 57 1448 | 56 1422 | 29.75 756 | 29.25 743 | 58 1473 | 30 762 | 11 279 | 54 1372 | |
| V-430-56-58-36 | *40 12 | 305 138 | 375 170 | 22.5 572 | 15.5 394 | 36 914 | 57 1448 | 56 1422 | 33.75 857 | 33.25 845 | 58 1473 | 30 762 | 15 381 | 54 1372 | |
| V-434-56-58-36 | *55 17 | 325 147 | 395 179 | 27 686 | 20 508 | 36 914 | 57 1448 | 56 1422 | 38.25 972 | 37.75 959 | 58 1473 | 30 762 | 19.5 495 | 54 1372 | |

Notes:

1. Specifications subject to change.
2. Upon request, reels can be supplied with drum lengths other than shown and with disc sizes in other diameters.
3. Weights shown in chart are for crank rewind models. Prefix model number with **V-**. ADD these amounts for power rewind models:

| | Net lbs/kg | Ship lbs/kg |
|------------------|----------------|----------------|
| Electric | 40/18.1 | 40/18.1 |
| Hydraulic | 20/9.1 | 20/9.1 |
| Air | 20/9.1 | 20/9.1 |

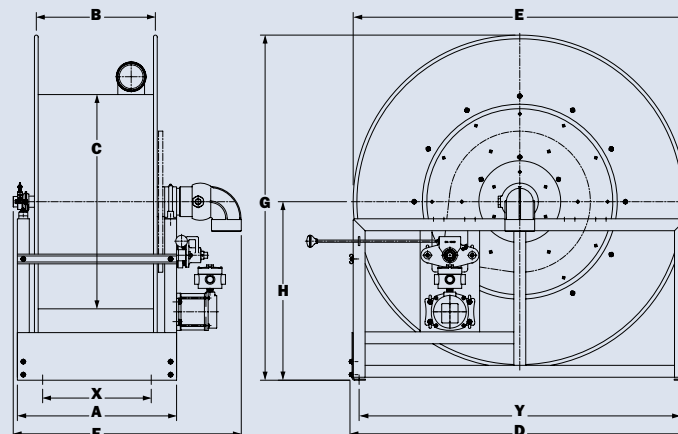
4. When ordering power rewind models, replace prefix **V-** with:
 - V-A** = Air Rewind—Supplied with control valve and 18" air hose.
 - V-EPJ** = Explosion-Proof Electric Rewind (1/2 HP)—Supplied with explosion-proof switch, solenoid, and junction box.
 - V-HD** = Hydraulic Rewind—Not supplied with control valve.

5. **Be sure to check dimensions and weights prior to ordering.**

NOTICE: A flexible connector must be used between the inlet pipe and the inlet swivel joint.

*Be sure to verify bend radius of hose before ordering.

***X, Y indicate mounting holes. See page 2.



Series **V-5000** | Single Wrap

To handle single 1-1/2" I.D. through 3" I.D. hose.

- Effortless and fast rewinding, wrapping of hose.
- Chain and sprocket drive powered by electric, hydraulic, or compressed air motor.
- Auxiliary crank rewind, optional.
- 12 volt rewind, comet brake, reduction unit standard.
- Air brake optional.
- Inlet, hub assembly is aluminum.

Series V-5100

- Standard inlet: 90° ball bearing swivel joint, 1-1/2" female NPT threads, 2" Victaulic® groove, flanged riser with 1-1/2" female NPT threads.
- Standard pressures to 600 psi (41 bar).
- Standard fluid temperatures from -20° F to +212 °F (-29° C to +100° C).
- Consult factory for other pressures, temperatures, and options.

Series V-5200

- Standard inlet: 90° ball bearing swivel joint, 2" Victaulic® groove, flanged riser with 2" female NPT threads.
- Standard pressures to 150 psi (10 bar).
- Standard fluid temperatures from -20° F to +212 °F (-29° C to +100° C).
- Consult factory for other pressures, temperatures, and options.

Series V-5300

- Standard inlet: I-hub (aluminum only) straight 3" Victaulic® groove inlet, flanged riser with 3" female NPT threads.
- Standard pressures to 150 psi (10 bar).
- Standard fluid temperatures from -65° F to +180 °F (-54° C to +82° C).
- Optional 90° ball bearing alum swivel joint, 3" Victaulic® groove, flanged riser with 3" female NPT threads.
- Optional I-hub joints are available in:
 - 3" 90° ASA Flanged
 - 3" 90° Victaulic®
- Consult factory for other pressures, temperatures, and options.



Series V-5300
Standard configuration shown



Standard straight I-hub
for Series V-5300



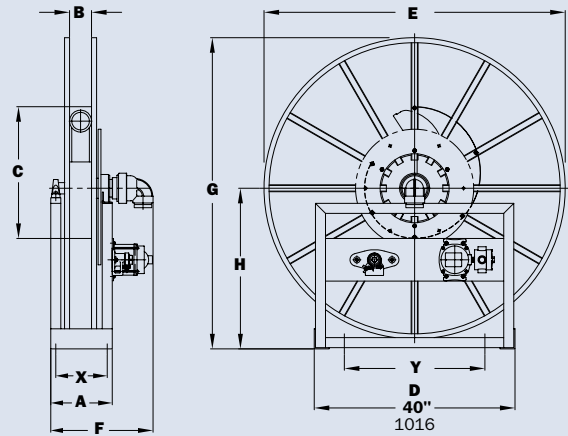
90° Victaulic® version I-hub assembly
with riser for Series V-5300

PARTS DRAWING – ISO 197

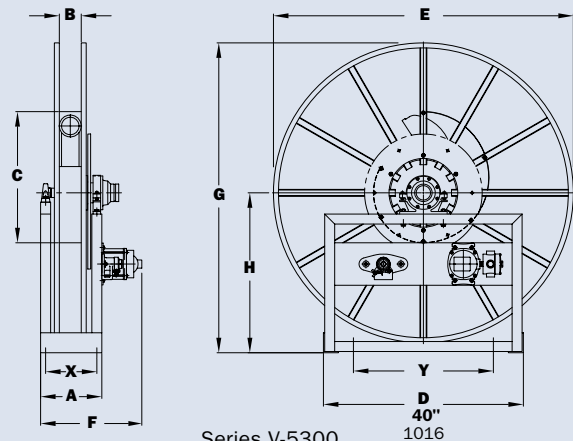
| Model Number For Power Rewind see Note 2 | Hose Capacity of Reel feet m | | | | | Approx. Weight lb. kg | | Reel Dimensions*** in. mm | | | | | | | | | | |
|--|---------------------------------|-------------|------------|-------------|------------|--------------------------|------------|------------------------------|-------------|-----------|-----------|--------------|-------------|--------------------------|-----------|-----------|--------------|-----------|
| | I.D. in. mm | 1-1/2 38 | 2 51 | 2-1/2 64 | 3 76 | NET | SHIP | A | B | C | E | F | F POWER | F POWER with I-Hub | G | H | X | Y |
| | O.D. in. mm | 2.06 52 | 2.67 68 | 3.25 83 | 3.78 96 | | | | | | | | | | | | | |
| V-5111-48-50-20 | 50 | - | - | - | - | 310 | 385 | 10.63 | 2.5 | 20 | 48 | 17.5 | - | - | 50 | 26 | 8.63 | 28 |
| | 15 | - | - | - | - | 141 | 175 | 270 | 64 | 508 | 1219 | 445 | - | - | 1270 | 660 | 219 | 711 |
| V-5111-56-58-20 | 75 | - | - | - | - | 330 | 405 | 10.63 | 2.5 | 20 | 56 | 17.5 | - | - | 58 | 30 | 8.63 | 28 |
| | 23 | - | - | - | - | 150 | 184 | 270 | 64 | 508 | 1422 | 445 | - | - | 1473 | 762 | 219 | 711 |
| V-5111-62-64-20 | 100 | - | - | - | - | 340 | 415 | 10.63 | 2.5 | 20 | 62 | 17.5 | - | - | 64 | 33 | 8.63 | 28 |
| | 30 | - | - | - | - | 154 | 188 | 270 | 64 | 508 | 1575 | 445 | - | - | 1626 | 838 | 219 | 711 |
| V-5218-56-58-24 | - | 50 | - | - | - | 370 | 445 | 11.5 | 3.63 | 24 | 56 | 19.25 | - | - | 58 | 30 | 9.5 | 28 |
| | - | 15 | - | - | - | 168 | 202 | 292 | 92 | 610 | 1422 | 489 | - | - | 1473 | 762 | 241 | 711 |
| V-5218-62-64-24 | - | 75 | - | - | - | 390 | 465 | 11.5 | 3.63 | 24 | 62 | 19.25 | - | - | 64 | 33 | 9.5 | 28 |
| | - | 23 | - | - | - | 177 | 211 | 292 | 92 | 610 | 1575 | 489 | - | - | 1626 | 838 | 241 | 711 |
| V-5218-70-72-24 | - | 100 | - | - | - | 400 | 475 | 11.5 | 3.63 | 24 | 70 | 19.25 | - | - | 72 | 37 | 9.5 | 28 |
| | - | 30 | - | - | - | 181 | 215 | 292 | 92 | 610 | 1778 | 489 | - | - | 1829 | 940 | 241 | 711 |
| V-5319-62-64-30 | - | - | 50 | 50 | - | 400 | 475 | 12.25 | 4.38 | 30 | 62 | 21.25 | 20.5 | - | 64 | 33 | 10.25 | 28 |
| | - | - | 15 | 15 | - | 182 | 216 | 311 | 111 | 762 | 1575 | 540 | 521 | 1626 | 838 | 260 | 711 | |
| V-5319-70-72-30 | - | - | 75 | - | - | 410 | 485 | 12.25 | 4.38 | 30 | 70 | 21.25 | 20.5 | - | 72 | 37 | 10.25 | 28 |
| | - | - | 23 | - | - | 186 | 220 | 311 | 111 | 762 | 1778 | 540 | 521 | 1829 | 940 | 260 | 711 | |
| V-5319-78-80-30 | - | - | 100 | - | - | 420 | 495 | 12.25 | 4.38 | 30 | 78 | 21.25 | 20.5 | - | 80 | 41 | 10.25 | 28 |
| | - | - | 30 | - | - | 191 | 225 | 311 | 111 | 762 | 1981 | 540 | 521 | 2032 | 1041 | 260 | 711 | |

Notes:

- Specifications subject to change.
 - When ordering power rewind models, prefix model number with:
 - V-A** = Air Rewind reels are supplied with control valve and 25" air hose.
 - V-EPJ** = Electric Rewind (2/3 HP) 12v and 24v DC rewind reels supplied with explosion proof switch, solenoid, and junction box.
 - V-HD** = Hydraulic Rewind reels are not supplied with control valve.
 - Be sure to check dimensions and weights prior to ordering.
- NOTICE:** A flexible connector must be used between the inlet pipe and the inlet swivel joint.
- ***X, Y indicate mounting holes. See page 2.



Series V-5100 and V-5200



Series V-5300

Series N600 | Dual Hose

- **Deadman/Sensing**

To handle dual 1/4" through 3/8" I.D. sensing hose.

- Narrow frame and compact mounting base.
- Non-sparking ratchet assembly.
- Decutching arbor to prevent damage from reverse winding.
- Standard inlets: 90° full-flow swivel joints with Viton® seals, 1/2" female NPT threads.
- Optional balanced pressure (BP) swivel joints are available upon request. Subtract 1-3/4" from "F" dimension.
- Standard outlets: 1/2" female NPT threads.
- Standard pressures to 3000 psi (207 bar).
- Standard fluid temperatures from -15° F to +250 °F (-26° C to +121° C).
- Consult factory for other pressures and temperatures.
- 4-way roller assembly. SR position is standard, other configurations available, must specify.



Standard SR configuration shown

PARTS DRAWING – ISO 80

| Model Number | Hose Capacity of Reel feet m | | | Approx. Weight lb. kg | | | Standard Roller Assy. | Reel Dimensions*** in. mm | | | | | | | | |
|------------------|---------------------------------|-----------|-----------|--------------------------|------------------------------|------------------------|-----------------------|------------------------------|-----|------|-------|----------------|---------|-----|-------|-----|
| | I.D. in. mm | 1/4 6 | 3/8 10 | NET | UPS/ FedEx SHIP Wt. | Freight SHIP Wt. | | A | B | C | E | F Full-Flow | F BP | G | H | X |
| | O.D. in. mm | 5/8 16 | 3/4 19 | | | | | 11 | 5 | 10.5 | 20.75 | 16 | 14.25 | 20 | 10.62 | 9 |
| N617-19-20-10.5J | | 2/50 | 2/50 | 66 | 84* | 101 | N205 | 11 | 5 | 10.5 | 20.75 | 16 | 14.25 | 20 | 10.62 | 9 |
| | | 2/15 | 2/15 | 30 | 38 | 46 | | 279 | 127 | 267 | 527 | 406 | 362 | 508 | 270 | 229 |
| N617-23-24-10.5G | | 2/100 | 2/100 | 73 | 84* | 108 | N205 | 11 | 5 | 10.5 | 24 | 16 | 14.25 | 24 | 12.62 | 9 |
| | | 2/31 | 2/31 | 33 | 38 | 49 | | 279 | 127 | 267 | 610 | 406 | 362 | 610 | 321 | 229 |

Notes:

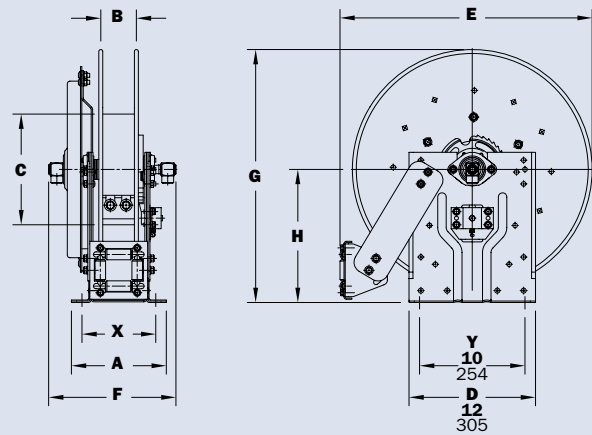
A hose stop is necessary to keep spring from unwinding.

1. Specifications subject to change.
2. Reel models and capacities shown are for standard drag applications; for vertical lift applications, consult factory.
3. Other sizes, from standard components, available on request.
4. **Finish:** Refer to page 2.
5. **Be sure to check dimensions and weights prior to ordering.**

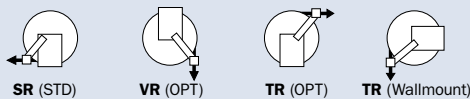
NOTICE: A flexible connector must be used between the inlet pipe and the inlet swivel joint.

*Dimensional weight may apply when shipped as a parcel package (via FedEx or UPS Ground).

*** X, Y indicate mounting holes. See page 2.



Available Roller Positions



Series V-N800

To handle 1" I.D. hose.

- Narrow frame and compact mounting base.
- Non-sparking ratchet assembly.
- Decutching arbor to prevent damage from reverse winding.
- #304 stainless steel internals.
- Standard inlet: 90° #304 stainless steel ball bearing swivel joint, 1" female NPT threads.
- Standard outlet: 1" female NPT threads.
- Standard pressures to 1000 psi (69 bar).
- Standard fluid temperatures from -40° F to +250 °F (-40° C to +121° C). Optional temperature ratings available - consult factory.
- 4-way roller assembly. SR and VR roller positions: swivel joint is standard on the right. TR roller positions: swivel joint is standard on the left. Other configurations available, must specify.



Optional TR configuration shown

PARTS DRAWING – ISO 81

| Model Number | Hose Capacity of Reel feet m | | Approx. Weight lb. kg | | Standard Roller Assy. | Reel Dimensions*** in. mm | | | | | | | |
|--------------------|---------------------------------|--------------|--------------------------|------------------------|-----------------------|------------------------------|-------------|-------------|--------------|-----------|--------------|-----------|---|
| | I.D. in. mm | 1 25 | NET | Freight SHIP Wt. | | A | B | C | E | F | G | H | X |
| | O.D. in. mm | 1-9/16 40 | | | | 10 | 4 | 10.5 | 25.5 | 14.12 | 26 | 13.62 | 8 |
| V-N816-25-26-10.5B | 35 11 | 96 44 | 131 59 | N204 | 10 254 | 4 102 | 10.5 267 | 25.5 648 | 14.12 359 | 26 660 | 13.62 346 | 8 203 | |
| V-N818-25-26-10.5B | 50 15 | 102 46 | 137 62 | N206 | 12 305 | 6 152 | 10.5 267 | 25.5 648 | 16.12 409 | 26 660 | 13.62 346 | 10 254 | |

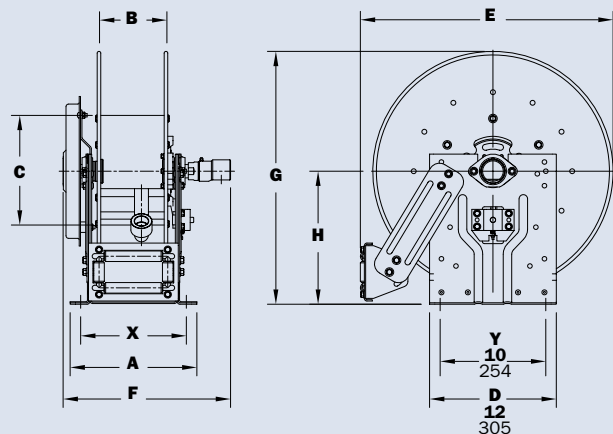
Notes:

A hose stop is necessary to keep spring from unwinding.

1. Specifications subject to change.
2. Reel models and capacities shown are for standard drag applications; for vertical lift applications, consult factory.
3. Other sizes, from standard components, available on request.
4. **Finish:** Refer to page 2.
5. **Be sure to check dimensions and weights prior to ordering.**

NOTICE: A flexible connector must be used between the inlet pipe and the inlet swivel joint.

*** X, Y indicate mounting holes. See page 2.



Available Roller Positions



SR (STD)



VR (OPT)



TR (OPT)



TR (Wallmount)

Series V-800

To handle 1" I.D. hose.

- Rollformed channel frame construction.
- Non-sparking ratchet assembly.
- Decutching arbor to prevent damage from reverse winding.
- #304 stainless steel internals.
- Standard inlet: 90° #304 stainless steel ball bearing swivel joint, 1" female NPT threads.
- Standard outlet: 1" female NPT threads.
- Standard pressures to 1000 psi (69 bar).
- Standard fluid temperatures from -40° F to +250 °F (-40° C to +121° C). Optional temperature ratings available - consult factory.
- 4-way roller assembly. SR and VR roller positions: swivel joint is standard on the right. TR roller positions: swivel joint is standard on the left. Other configurations available, must specify.



Standard SR configuration shown

PARTS DRAWING – ISO 42

| Model Number | Hose Capacity of Reel | | Approx. Weight | | Standard Roller Assy. | Reel Dimensions*** | | | | | | | | | |
|-------------------|-----------------------|---------|----------------|------|-----------------------|--------------------|------|-------|-------|-------|-------|-------|-------|-------|-----|
| | feet m | | lb. kg | | | in. mm | | | | | | | | | |
| | I.D. in. mm | 1 25 | NET | SHIP | | A | B | C | D | E | F | G | H | X | Y |
| V-816-25-26-10.5B | 35 | 96 | | | 131 | R204 | 9.25 | 4 | 10.5 | 26.25 | 26.12 | 14.75 | 25.88 | 13.5 | 4.5 |
| | 11 | 44 | 59 | | 235 | 102 | 267 | 667 | 663 | 375 | 657 | 343 | 114 | 552 | |
| V-818-25-26-10.5B | 50 | 102 | 137 | R206 | 11.25 | 6 | 10.5 | 26.25 | 26.12 | 16.75 | 25.88 | 13.5 | 6.5 | 21.75 | |
| | 15 | 46 | 62 | | 286 | 152 | 267 | 667 | 663 | 425 | 657 | 343 | 165 | 552 | |
| V-820-25-26-10.5A | 75 | 131 | 166 | R308 | 13.25 | 8 | 10.5 | 27 | 27 | 19.5 | 25.88 | 13.5 | 8.5 | 21.75 | |
| | 23 | 59 | 75 | | 337 | 203 | 267 | 686 | 686 | 495 | 657 | 343 | 216 | 552 | |
| V-820-30-31-10.5A | 100 | 137 | 172 | R308 | 13.25 | 8 | 10.5 | 30.5 | 30.5 | 19.5 | 31.38 | 17 | 8.5 | 25.25 | |
| | 30 | 62 | 78 | | 337 | 203 | 267 | 775 | 775 | 495 | 797 | 432 | 216 | 641 | |

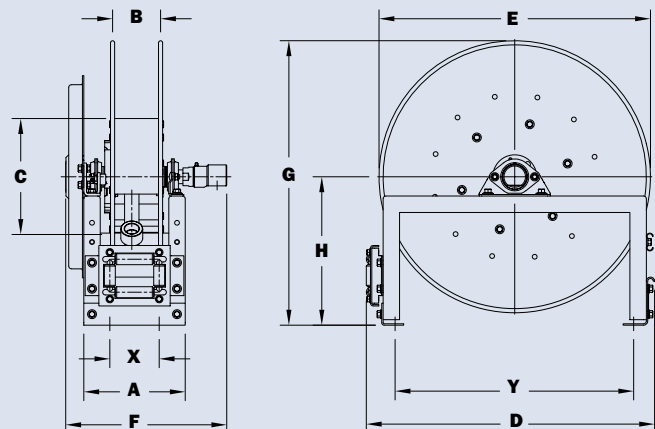
Notes:

A hose stop is necessary to keep spring from unwinding.

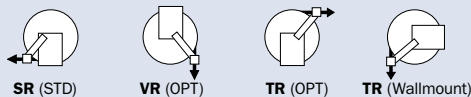
1. Specifications subject to change.
2. Reel models and capacities shown are for standard drag applications; for vertical lift applications, consult factory.
3. Other sizes, from standard components, available on request.
4. **Finish:** Refer to page 2.
5. **Be sure to check dimensions and weights prior to ordering.**

NOTICE: A flexible connector must be used between the inlet pipe and the inlet swivel joint.

*** X, Y indicate mounting holes. See page 2.



Available Roller Positions



Series V-900

To handle 1-1/4" or 1-1/2" I.D. hose.

- Rollformed channel frame construction.
- Non-sparking ratchet assembly.
- Declutching arbor to prevent damage from reverse winding.
- Standard inlet, outlet riser and hub assembly are aluminum for jet fuels.
- Standard inlet: 90° swivel joint, 1-1/2" female NPT threads, and 2" Victaulic® groove.
- Standard outlet: 1-1/2" female NPT threads.
- Consult factory for other sizes and/or threads.
- Standard pressures to 600 psi (41 bar).
- Standard fluid temperatures from -20° F to +212 °F (-29° C to +100° C).
- Consult factory for other pressures and temperatures.
- 4-way roller assembly. SR and VR roller positions: swivel joint is standard on the right. TR roller positions: swivel joint is standard on the left. Other configurations available, must specify.



Standard SR configuration shown

PARTS DRAWING – ISO 29

| Model Number | Hose Capacity of Reel feet m | | | Approx. Weight lb. kg | | Standard Roller Assy. | Reel Dimensions*** in. mm | | | | | | | | |
|-------------------|---------------------------------|---------------|--------------|--------------------------|-----------|-----------------------|------------------------------|-------------|--------------|--------------|--------------|--------------|-------------|-------------|--------------|
| | I.D. in. mm | 1-1/4 32 | 1-1/2 38 | NET | SHIP | | A | B | D | E | F | G | H | X | Y |
| | O.D. in. mm | 1-13/16 46 | 2-1/16 52 | | | | 10.5 267 | 10.5 267 | 10.5 267 | 10.5 267 | 10.5 267 | 10.5 267 | 10.5 267 | 10.5 267 | 10.5 267 |
| V-922-23-24-10.5B | 40 12 | 25 8 | 38 10 | 104 47 | 139 63 | R310 | 15.25 387 | 10 254 | 25.25 641 | 22.75 578 | 24 610 | 23.88 607 | 12.5 318 | 10.5 267 | 20 508 |
| V-920-25-26-10.5A | 50 15 | 40 12 | 38 10 | 127 58 | 162 73 | R308 | 13.25 337 | 8 203 | 27 686 | 24.75 629 | 22.75 578 | 25.88 657 | 13.5 343 | 8.5 216 | 21.75 552 |
| V-922-30-31-10.5A | 75 23 | 50 15 | 38 10 | 156 71 | 191 87 | R310 | 15.25 387 | 10 254 | 30.5 775 | 28.75 730 | 24.75 629 | 31.38 797 | 17 432 | 10.5 267 | 25.25 641 |

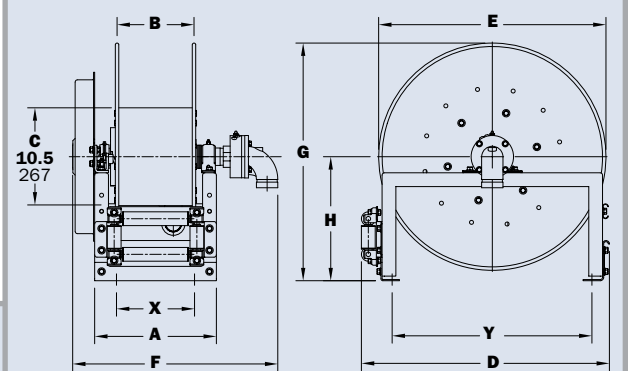
Notes:

A hose stop is necessary to keep spring from unwinding.

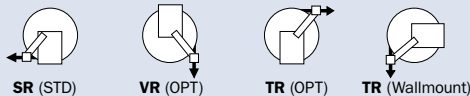
1. Specifications subject to change.
2. Reel models and capacities shown are for standard drag applications; for vertical lift applications, consult factory.
3. Other sizes, from standard components, available on request.
4. **Finish:** Refer to page 2.
5. **Be sure to check dimensions and weights prior to ordering.**

NOTICE: A flexible connector must be used between the inlet pipe and the inlet swivel joint.

*** X, Y indicate mounting holes. See page 2.



Available Roller Positions



Static Grounding Reels

• Aircraft Refueling

WARNING

These reels are for static grounding ONLY.
NOT intended for lightning protection!

For refueling or hazardous areas.

- These reels bond and/or ground aircraft, fuel trucks, and other equipment.
- Provide smooth operation and require minimum cable pull.
- Declutching arbor and adjustable guide arm with cable guide.
- Optional stainless steel construction of spool, frame, and ratchet system available on HGR Series.
- Standard finish is oven-cured enamel.
- Also available, manual rewind version.



Model HGR50
(Shown with optional "Y" branch)



Model SSHGR50
(Optional unpolished stainless steel HGR50)



Model MHGR50



Model HGR100



Model MHGR100



Model GR75

Model MGR75

All reels shown with optional pcc cable and clamp.

Series **GR/HGR**

- Available with 1/8", 7 x 19 galvanized carbon steel cable.
- 100 amp Alligator clamp.
- Stainless steel or plastic-covered cable and "Y" branches are available at an additional charge.
- Cable guide arm of cast aluminum and ZA-12 aluminum zinc alloy.

Series **GR75**

- Sealed spring is a good economical choice that's compact and lightweight.

Series **HGR**

- A non-sparking ratchet assembly.
- Reels are repairable and parts are readily available.
- Supplied with 18" long grounding strap with eyelet connectors on both ends.

Parts Drawings: **HGR Series – ISO 10** and **MHGR Series – ISO 234**

| Model Number | Cable Capacity of Reel feet m | Approx. Weight lb. kg | | Reel Dimensions*** in. mm | | | | | | | | | |
|------------------|-------------------------------|-----------------------|------------|---------------------------|-------------|--------------|-------------|--------------|-------------|--------------|-------------|-------------|-------------|
| | | Without Cable | With Cable | A | B | C | D | E | F | G | H | X | Y |
| GR75 | 75 | 11 | 14* | 2 | 2 | 7 | 9 | 9.25 | 3.5 | 9.88 | 5.06 | 1 | 7.88 |
| | 23 | 5 | 6 | 51 | 51 | 178 | 229 | 235 | 89 | 251 | 129 | 25 | 200 |
| † MGR75 | 75† | 11 | 13* | 2 | 2 | 7 | 9 | 9.25 | 5.25 | 9.88 | 5.06 | 1 | 7.88 |
| | 23† | 5 | 6 | 51 | 51 | 178 | 229 | 235 | 133 | 251 | 129 | 25 | 200 |
| HGR50 | 75 | 28 | 30* | 4 | 1.25 | 10.75 | 11.5 | 14.25 | 5.5 | 16.75 | 8.88 | 2.38 | 7.5 |
| | 23 | 13 | 14 | 102 | 32 | 273 | 292 | 362 | 159 | 425 | 226 | 60 | 191 |
| † MHGR50 | 125† | 19 | 23* | 4 | 1.25 | 10.75 | 11.5 | 14.25 | 6.25 | 16.75 | 8.88 | 2.38 | 7.5 |
| | 38† | 9 | 10 | 102 | 32 | 273 | 292 | 362 | 159 | 425 | 226 | 60 | 191 |
| HGR100 | 100 | 37 | 41* | 4 | 1.25 | 13.25 | 11.5 | 16.75 | 5.5 | 17.75 | 8.88 | 2.38 | 7.5 |
| | 30 | 17 | 19 | 102 | 32 | 337 | 292 | 425 | 140 | 451 | 226 | 60 | 191 |
| † MHGR100 | 175† | 25 | 31* | 4 | 1.25 | 13.25 | 11.5 | 16.75 | 6.25 | 17.75 | 8.88 | 2.38 | 7.5 |
| | 53† | 11 | 14 | 102 | 32 | 337 | 292 | 425 | 159 | 451 | 226 | 60 | 191 |

Optional GTP Gator® Clamp
(GTP-9654)
Part No. 9951.0032



Optional Browne Clamp
(ALS-10)
Part No. 9951.0031

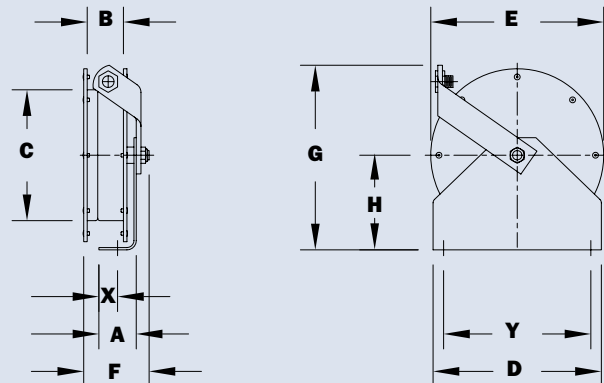


Optional Grounding Jack
per MIL-C-8341D/4
Part No. 9951.0033

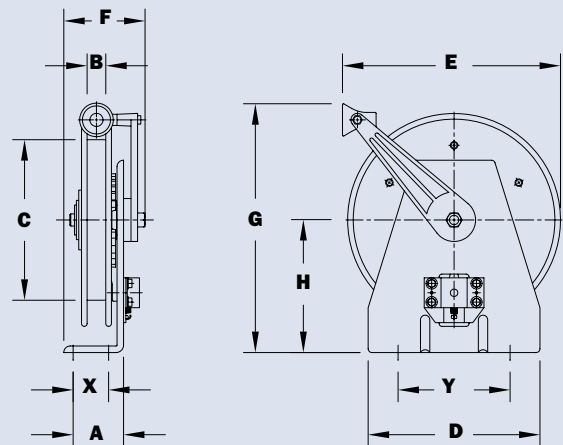


Notes:

1. Specifications subject to change.
 2. When ordering, specify model number, gauge, O.D., length, and coating if required.
 3. Specify "Y" branch if required.
 4. **Finish:** Refer to page 2.
- *Reels can be shipped as a parcel package (via FedEx or UPS Ground).
*** X, Y indicate mounting holes. See page 2.
† Capacities shown are for PCC (plastic coated cable). Capacities may be higher for uncoated cable; consult factory.



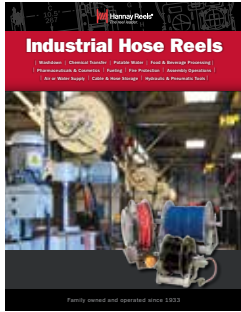
Model GR75/MGR75 – GR75 shown



Model HGR50/HGR100/MHGR50 – HGR shown

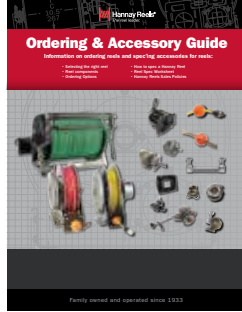
Find reels for every need.

Learn more about all of our reels, including specs, drawings, and even how to select the right reels and accessories for your industry.



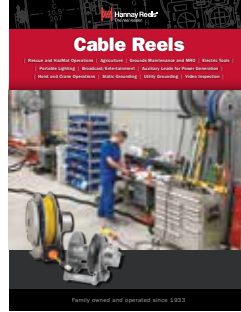
Industrial Hose Reels

- High pressure/low pressure reels
- Air/Lube/Grease reels
- Fueling
- Washdown/Power Wash
- Industrial Fire Protection
- Hydraulic/Pneumatic applications
- Hose storage



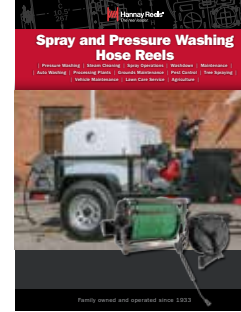
Ordering & Accessory Guide

- Selecting the right reel
- Reel components
- Available accessories
- How to spec and order reels and accessories
- Ordering options
- Hannay Reels policies



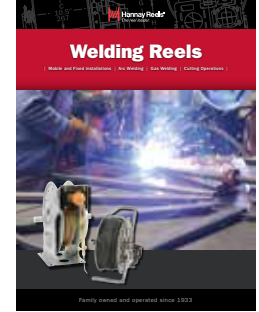
Cable Reels

- Electric Tools
- Crane operations
- Portable Lighting
- Live and storage reels
- Video/Broadcast
- Static and Utility grounding reels



Spray and Pressure Washing Hose Reels

- Washdown/Power Wash
- Pest Control/Fertilizers
- Air/Water/Grease
- Steam Cleaning
- Spray operations
- Portable hose reels



Welding Reels

- Mobile and fixed installations
- Arc welding
- Gas welding
- Cutting operations

View all our reel catalogs online at hannay.com



Family owned and operated since 1933, Hannay Reels is the world leader in both OEM and aftermarket applications. Hannay offers thousands of standard hose reel and cable reel models, as well as unmatched custom capabilities. We can easily and affordably customize a reel to meet your exact specifications – built to last, delivered fast. Additional catalogs are available through your local Hannay Reels dealer or online at hannay.com.



553 State Route 143 | Westerlo, New York 12193
Email: reels@hannay.com | hannay.com



All Hannay reels are constructed of quality heavy gauge steel (optional aluminum or stainless steel also available on most models).

